

THE STATE OF DELAWARE



DEPARTMENT OF TRANSPORTATION
MAINTENANCE AND OPERATIONS
CONSTRUCTION PLANS AND SPECIFICATIONS FOR


SUBDIVISION PAVING, NEW CASTLE COUNTY V, 2026

CONTRACT NUMBER - T202604905

UNIFIER PROJECT ID – 2026-00049

FEDERAL AID NUMBER - NONE

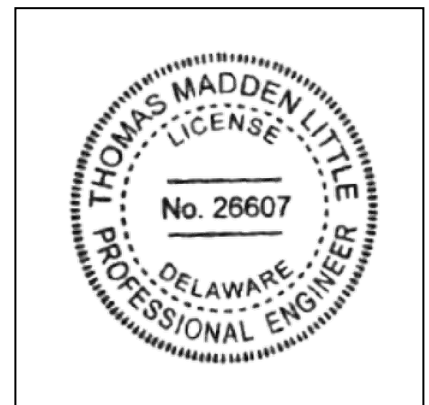
COUNTY: NEW CASTLE

PLANS PREPARED BY: 
DESIGNER



12/1/25

DELDOT – CANAL DISTRICT MAINTENANCE ENGINEER/ DATE
MAINTENANCE AND OPERATIONS - (CAD)



THIS SEAL APPLIES TO ALL SHEETS
BEARING THE "CAD" SECTION
DESIGNATION

APPROVED FOR ADVERTISEMENT

Pamela Steinebach

12/4/25

DIRECTOR OF MAINTENANCE AND OPERATIONS

DATE

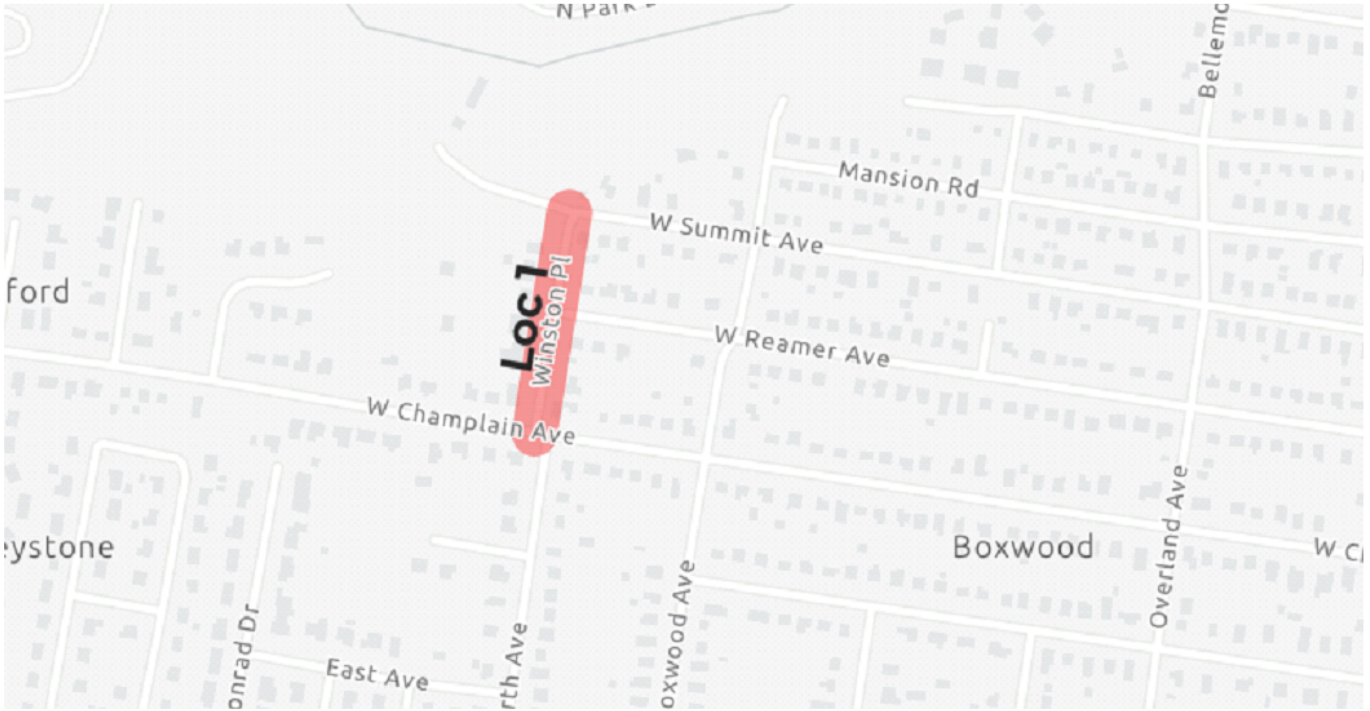
DEPARTMENT OF TRANSPORTATION

CONTRACT NUMBER- T202604905

(CAD) PAGE 2 OF 68

Contract is for various locations throughout New Castle County.

LOCATION MAP



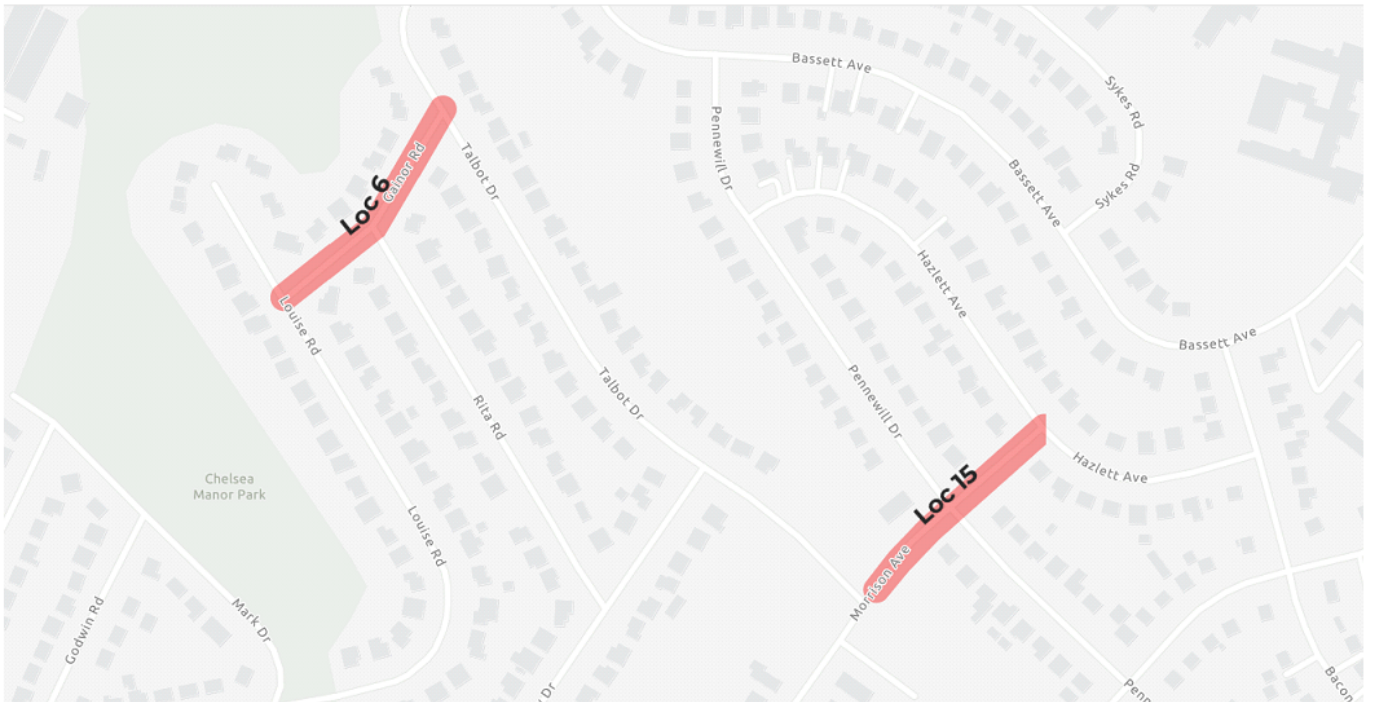
DEPARTMENT OF TRANSPORTATION

CONTRACT NUMBER- T202604905

(CAD) PAGE 3 OF 68

Contract is for various locations throughout New Castle County.

LOCATION MAP



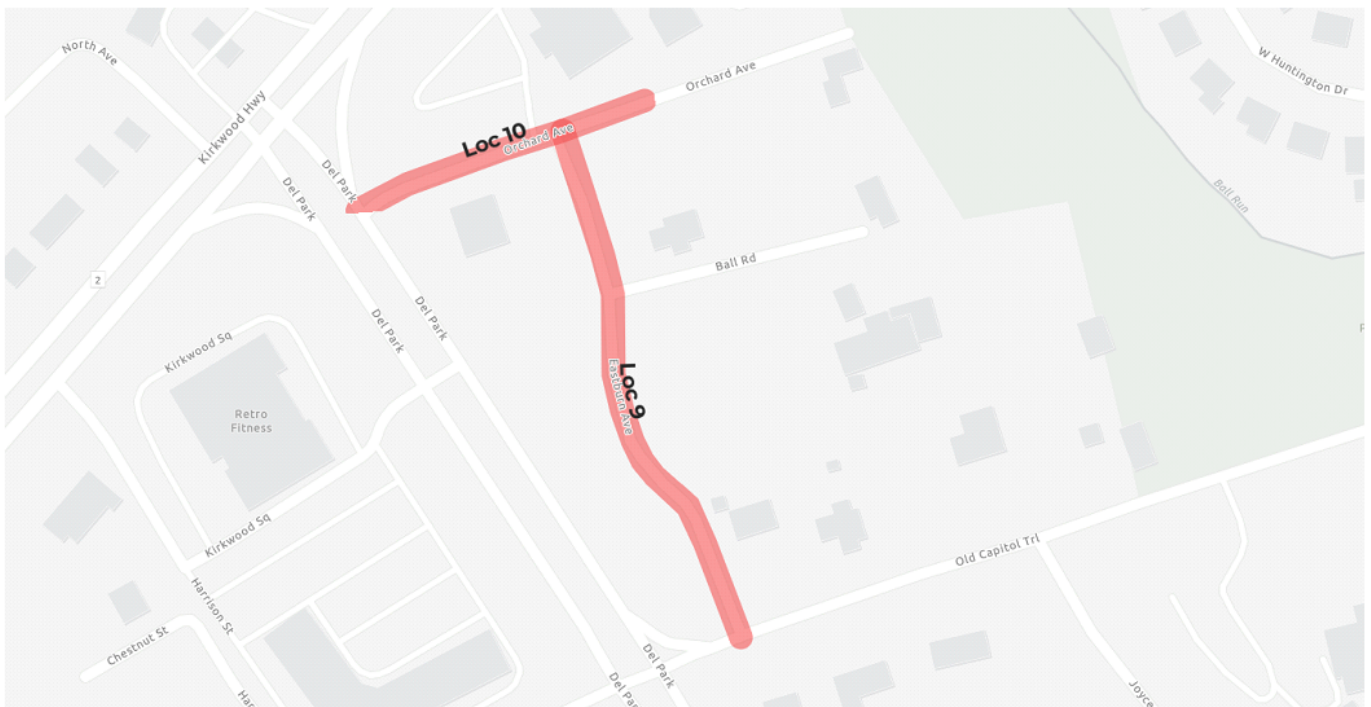
DEPARTMENT OF TRANSPORTATION

CONTRACT NUMBER- T202604905

(CAD) PAGE 4 OF 68

Contract is for various locations throughout New Castle County.

LOCATION MAP



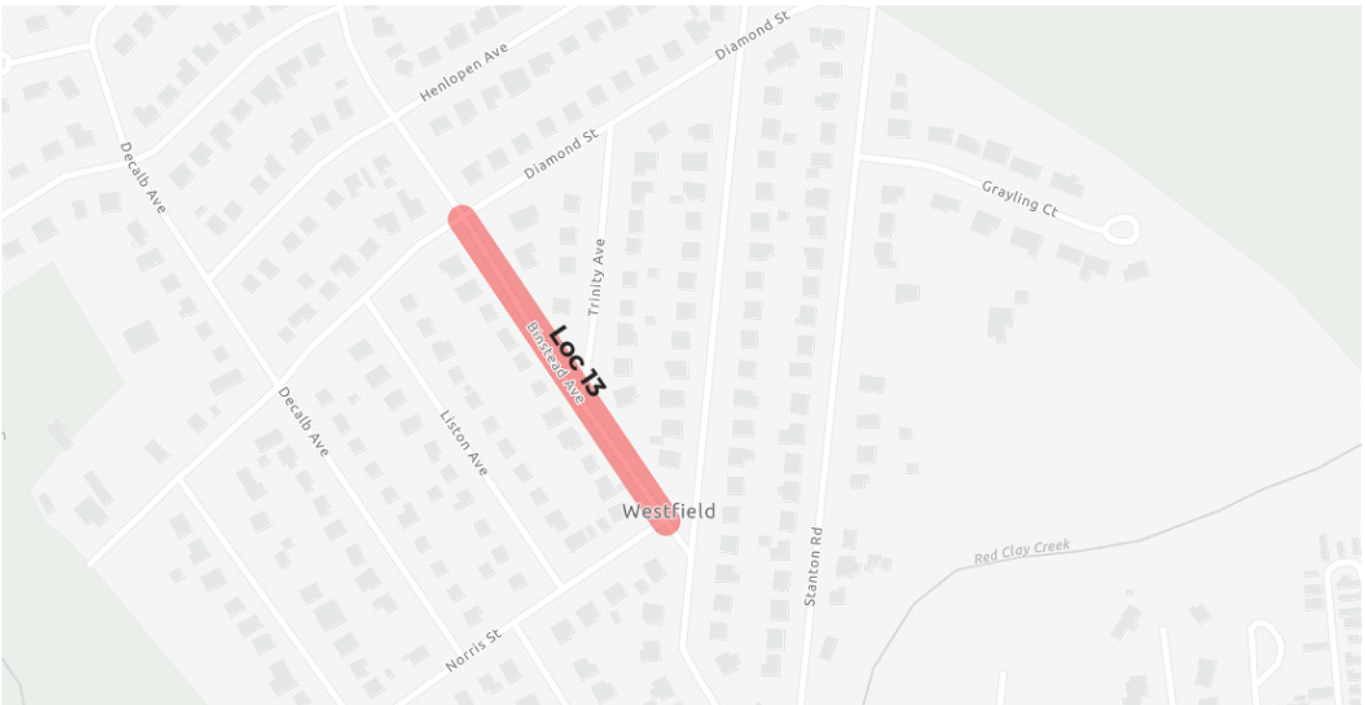
DEPARTMENT OF TRANSPORTATION

CONTRACT NUMBER- T202604905

(CAD) PAGE 5 OF 68

Contract is for various locations throughout New Castle County.

LOCATION MAP



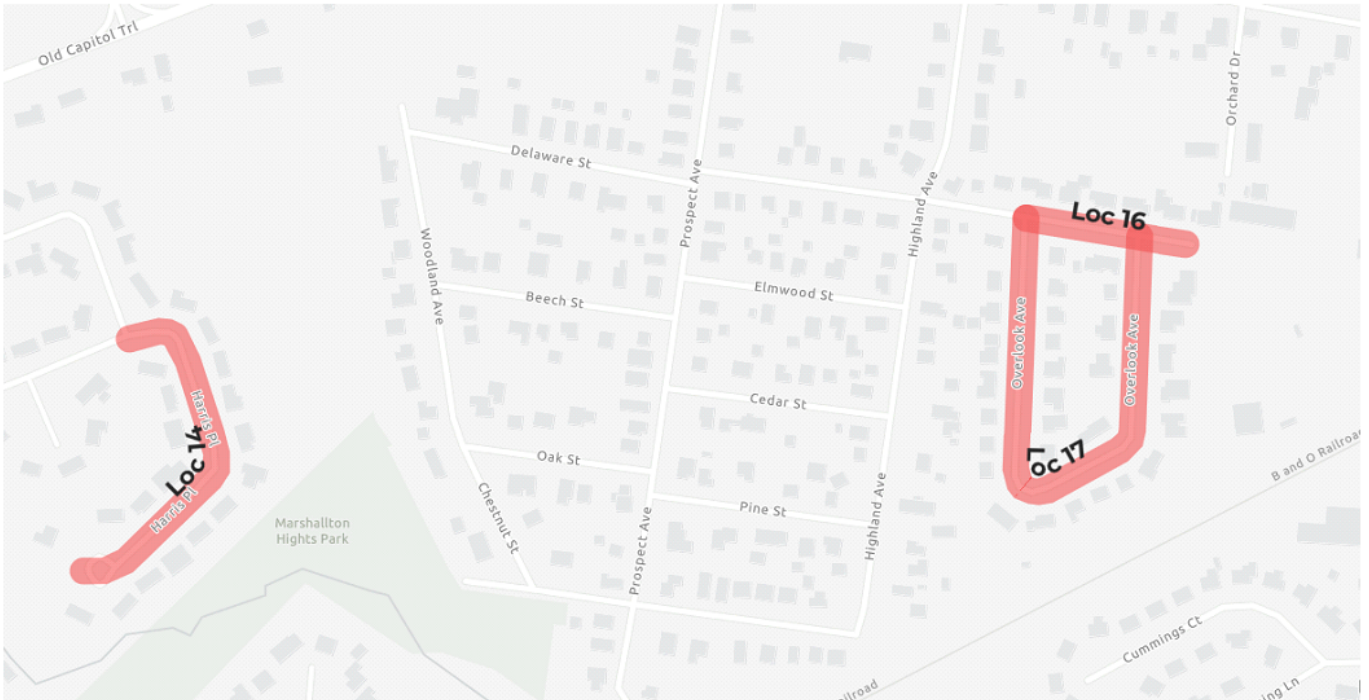
DEPARTMENT OF TRANSPORTATION

CONTRACT NUMBER- T202604905

(CAD) PAGE 6 OF 68

Contract is for various locations throughout New Castle County.

LOCATION MAP



DEPARTMENT OF TRANSPORTATION

CONTRACT NUMBER- T202604905

(CAD) PAGE 7 OF 68

Contract is for various locations throughout New Castle County.

LOCATION MAP



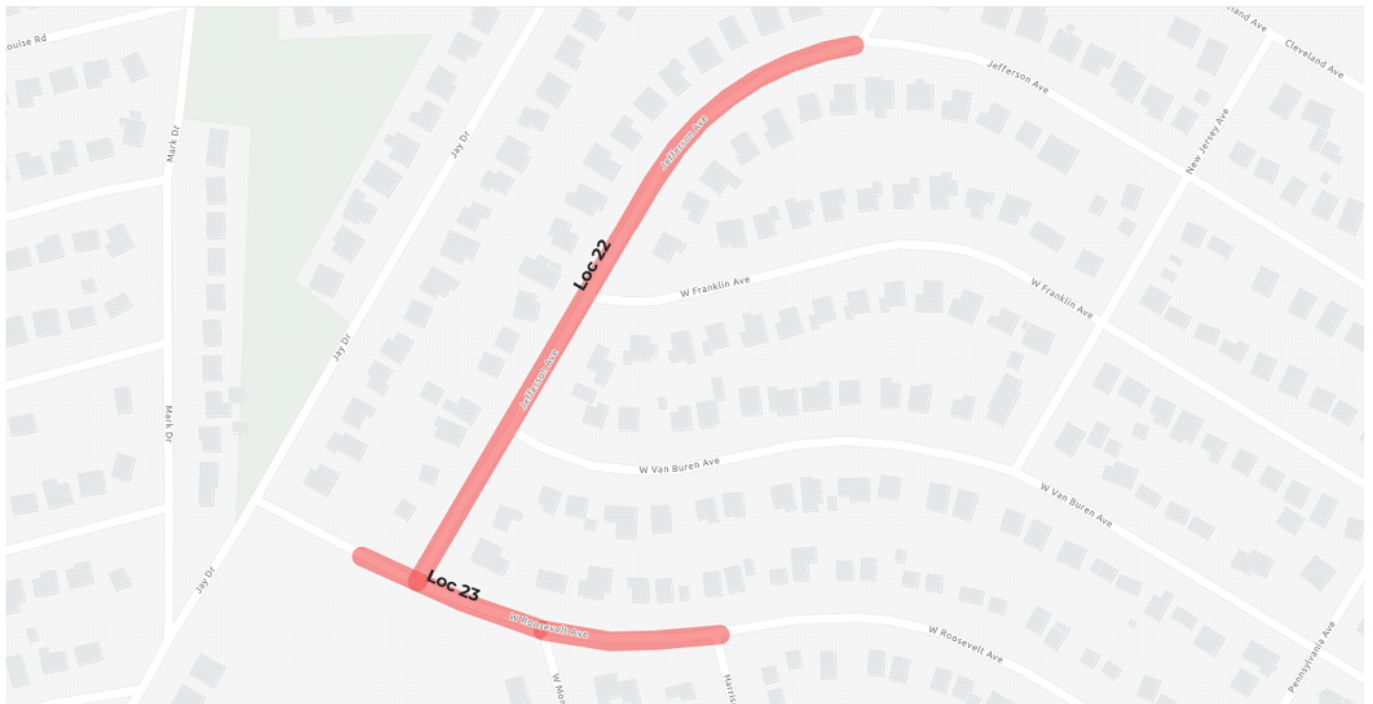
DEPARTMENT OF TRANSPORTATION

CONTRACT NUMBER- T202604905

(CAD) PAGE 8 OF 68

Contract is for various locations throughout New Castle County.

LOCATION MAP



DEPARTMENT OF TRANSPORTATION

CONTRACT NUMBER- T202604905

(CAD) PAGE 9 OF 68

Contract is for various locations throughout New Castle County.

LOCATION MAP



GENERAL CONTRACT PLAN NOTES

SECTION 100

1. THIS PROJECT IS TO BE CONSTRUCTED IN ACCORDANCE WITH THE DELAWARE DEPARTMENT OF TRANSPORTATION STANDARD SPECIFICATIONS FOR ROAD AND BRIDGE CONSTRUCTION DATED JANUARY 2025 AND THE DELAWARE DEPARTMENT OF TRANSPORTATION STANDARD CONSTRUCTION DETAILS DATED 2025, INCLUDING ALL REVISIONS UP TO THE DATE OF ADVERTISEMENT.

2. THE PURPOSE OF THIS CONTRACT IS TO MAKE GENERAL IMPROVEMENTS TO ROADS AND/OR STREETS WITHIN THE DISTRICT HEREIN SPECIFIED. DEPENDING ON FUND AVAILABILITY, THE DEPARTMENT RESERVES THE RIGHT TO ADD OR DELETE LOCATIONS AND/OR QUANTITIES FOR THIS CONTRACT. SUCH ADDITIONS OR DELETIONS SHALL NOT BE CAUSE FOR AN INCREASE OR DECREASE IN ANY CONTRACT UNIT BID PRICES. NO ITEM PRICES ARE TO BE RENEGOTIATED DUE TO EITHER AN INCREASE OR DECREASE IN QUANTITY USAGE RESULTING FROM SAID ADDITIONS OR DELETIONS.

3. THE CONTRACTOR SHALL PROVIDE WRITTEN NOTICE TO RESIDENTS AND BUSINESSES AT LEAST 48 HOURS, BUT NO MORE THAN 96 HOURS, PRIOR TO ALL PHASES OF CONTRACT WORK INCLUDING BUT NOT LIMITED TO: SAWCUTTING FOR P.C.C. OPERATIONS, P.C.C. REMOVAL AND REPLACEMENT, PAVEMENT MILLING, AND PAVING. THIS NOTICE SHALL BE GIVEN TO ALL RESIDENTS AND BUSINESSES WHOSE PROPERTY IS ADJACENT TO THE STREET ON WHICH WORK IS TO BE PERFORMED. FAILURE TO GIVE PROPER NOTICE WILL RESULT IN A SUSPENSION OF WORK REQUIRING NOTICE, UNTIL PROPER NOTICE IS PROVIDED. UPON COMPLETION OF DISTRIBUTING WRITTEN NOTICES, THE CONTRACTOR SHALL IMMEDIATELY NOTIFY THE ENGINEER.

4. LOCATION LISTINGS INDICATE GENERAL LIMITS OF CONSTRUCTION, MAJOR TYPES OF IMPROVEMENTS, AND ESTIMATED QUANTITIES. DURING THE BIDDING PERIOD, ANY QUESTIONS PERTAINING TO LOCATIONS SHALL BE DIRECTED TO THE CONTRACT ADMINISTRATOR. AFTER THE AWARD, SUCH QUESTIONS SHALL BE REFERRED TO THE APPROPRIATE DISTRICT ENGINEER OR HIS REPRESENTATIVE.

5. THIS CONTRACT WILL HAVE CLEAR "START BY" DATE AND TIME ALLOCATED FOR COMPLETION. FAILURE TO COMPLETE THE CONTRACT IN THE SPECIFIED TIME SHALL CONSTITUTE "FAILURE TO PURSUE THE WORK" AND SUBJECTS THE CONTRACTOR TO LIQUIDATED DAMAGES AS OUTLINED IN SUBSECTION 108.8 OF THE STANDARD SPECIFICATIONS.

6. THE CONTRACTOR SHALL SUBMIT THE REQUIRED COPIES OF A DETAILED PROGRESS SCHEDULE (PSC) AS OUTLINED IN STANDARD SPECIFICATION 108.4 PRIOR TO THE PRECONSTRUCTION MEETING. DETAILS SHALL INCLUDE A DESCRIPTION OF EACH WORK ACTIVITY, THE PLANNED DAYS OF WORK, MULTIPLE CREWS OR SHIFTS, AND SCHEDULED WORKING HOURS. DURING THE CONTRACT, THE CONTRACTOR SHALL SUBMIT TWO-WEEK (OR

DEPARTMENT OF TRANSPORTATION

**CONTRACT NUMBER- T202604905 CANAL
SUBDIVISION PAVING, NEW CASTLE COUNTY V, 2026**

(CAD) PAGE 11 OF 68

GENERAL CONTRACT PLAN NOTES

AS REQUIRED) "LOOK AHEAD" SCHEDULES TO THE AREA ENGINEER/ MANAGER NO LATER THAN NOON OF EACH THURSDAY. FAILURE TO COMPLY WILL RESULT IN A SUSPENSION OF ALL CONTRACT WORK WITH TIME CHARGES CONTINUING TO BE ASSESSED.

ADDITIONAL WORK:

7. THE DEPARTMENT RESERVES THE RIGHT TO INCREASE OR DECREASE THE QUANTITIES OF THE ITEMS SPECIFIED IN THIS CONTRACT. SUCH ADDITIONS SHALL NOT BE CAUSE FOR AN INCREASE OR DECREASE IN ANY CONTRACT UNIT BID PRICES AND/OR LUMP SUM ITEMS IF THE INCREASE IN QUANTITIES DOES NOT REQUIRE REMOBILZATON.

8. THE DEPARTMENT RESERVES THE RIGHT TO ADD LOCATONS TO THIS CONTRACT. SPECIFIC WORK WILL BE ASSIGNED BY THE DEPARTMENT VIA WORK ORDERS AND THE DEPARTMENT WILL MAKE EVERY ATTEMPT TO MINIMIZE THE DISTANCE BETWEEN SUCCESSIVE LOCATIONS. THE CONTRACTOR MAY SUBMIT A REQUEST FOR ADDITIONAL MOT AND MOBILIZATION IN CONJUNCTION WITH ADDED LOCATIONS. THIS REQUEST WILL BE CONSIDERED ON THE BASIS OF EACH ADDITIONAL LOCATION. THE REQUEST FOR INITIAL EXPENSE/MOBILIZATION SHALL NOT EXCEED THE AMOUNT OF THE BID PRICE FOR 763000, DIVIDED BY THE NUMBER OF ORIGINAL CONTRACT LOCATIONS. THE REQUEST FOR MOT SHALL NOT EXCEED THE AMOUNT OF THE BID PRICE FOR 801500, DIVIDED BY THE NUMBER OF ORIGINAL CONTRACT LOCATIONS. FOR OPEN END CONTRACTS WITHOUT ORIGINAL LOCATIONS, BID ITEMS 763544-763552 SHALL BE FULL COMPENSATION FOR MOBILIZATION AND MOT.

EACH WORK ORDER ISSUED WILL HAVE CLEAR "START BY" DATE AND TIME ALLOCATED TO COMPLETE SAID WORK ORDER. ONCE TIME (CALENDAR DAYS) HAS BEEN ASSIGNED TO A WORK ORDER AND ISSUED, THE CONTRACTOR HAS 2 BUSINESS DAYS, NOT INCLUDING THE DAY OF ISSUANCE, TO DISPUTE THE TIME QUANTITY AND PROVIDE ADDITIONAL BACKUP DOCUMENTATION FOR WHY THE TIME QUANTITY IS NOT SUFFICIENT. A DETAILED BREAKDOWN OF LABOR/MATERIALS/EQUIPMENT ALONG WITH THE CONTRACTORS TIME ESTIMATE WILL BE REQUIRED; THIS INFORMATION MUST BE RECEIVED BY THE DEPARTMENT BY THE END OF THE 2ND BUSINESS DAY OR THE DEPARMENT WILL CONSIDER THE CONTRACTOR IN AGREEMENT WITH THE TIME ESTIMATE. THE ENGINEER WILL EVALUATE ANY REQUEST FOR MODIFICATION TO THE TIME ESTIMATE AND AT THEIR SOLE DISCRETION DETERMINE IF ADDITIONAL TIME IS GRANTED. DISPUTING TIME QUANTITY DOES NOT CONSTITUTE A DELAY IN COMMENCEMENT OF A WORK ORDER. ISSUANCE OF EACH WORK ORDER CONSTITUTES THE NOTICE TO PROCEED WITH THE WORK DESCRIBED. FAILURE TO COMPLETE A WORK ORDER IN THE SPECIFIED TIME SHALL CONSTITUTE "FAILURE TO PURSUE THE WORK" AND SUBJECTS THE CONTRACTOR TO LIQUIDATED DAMAGES AS OUTLINED IN SUBSECTION 108. 9 OF THE STANDARD SPECIFICATIONS BASED ON THE TOTAL VALUE OF THAT PARTICULAR WORK ORDER.

GENERAL CONTRACT PLAN NOTES

UPON ISSUANCE OF EACH WORK ORDER, THE CONTRACTOR SHALL SUBMIT THE REQUIRED COPIES OF A DETAILED PROGRESS SCHEDULE AS OUTLINED IN STANDARD SPECIFICATION 108.4 WITHIN 5 CALENDAR DAYS OF THE ISSUANCE OF WORK ORDER. DURING THE CONTRACT, THE CONTRACTOR SHALL SUBMIT TWO-WEEK (OR AS REQUIRED) "LOOK AHEAD" SCHEDULES TO THE AREA ENGINEER NO LATER THAN NOON OF EACH THURSDAY. DETAILS SHALL INCLUDE A DESCRIPTION OF EACH WORK ACTIVITY, THE PLANNED DAYS OF WORK, MULTIPLE CREWS OR SHIFTS, AND SCHEDULED WORKING HOURS. FAILURE TO COMPLY WILL RESULT IN A SUSPENSION OF ALL CONTRACT WORK WITH TIME CHARGES CONTINUING TO BE ASSESSED. THE PROGRESS SCHEDULE MUST ALSO BE UPDATED AND SUBMITTED TO THE DEPARTMENT AS CHANGES OR DELAYS OCCUR IN THE CONTRACT.

SECTION 400

9. UNLESS SPECIFIED, OVERLAY WIDTHS SHALL MATCH EXISTING WIDTHS.

10. THE COST OF CLIPPING BACK THE EDGES OF THE ROADWAY, SHOULDERS, AND THE FIRST 3' OF UNPAVED DRIVEWAY ENTRANCES, PICKING UP AND DISPOSING OF WASTE AND EXCESS MATERIAL, AND CLEANING THE EXISTING PAVEMENT PRIOR TO AN OVERLAY SHALL BE INCIDENTAL TO SECTION 401XXX. PREPARING UNPAVED DRIVEWAY ENTRANCES BEYOND THE FIRST 3' SHALL BE PAID UNDER THE APPROPRIATE CONTRACT ITEMS: 202000 AND/OR 30100X.

11. ALL PAVING, INCLUDING TURN LANES AND INTERSECTIONS, IS TO BE COMPLETED CURB TO CURB WITHIN SEVEN (7) CALENDAR DAYS FROM THE TIME THE AREA WAS MILLED. THIS RESTRICTION APPLIES TO EACH DAYS PAVEMENT MILLING OPERATION, NOT AN ENTIRE PROJECT LOCATION. FAILURE TO COMPLY WILL RESULT IN A SUSPENSION OF ALL OTHER CONTRACT WORK WITH TIME CHARGES CONTINUING TO BE ASSESSED.

12. IN ADDITION TO ITEM 401506 SPEED HUMP BEING UTILIZED FOR NEW SPEED HUMPS, IT SHALL ALSO INCLUDE REMOVE AND REPLACE SPEED HUMPS. UNLESS NOTED OTHERWISE, SPEED HUMPS SHALL BE MEASURED AND REPLACED AT THE SAME HEIGHT PRIOR TO CONSTRUCTION BUT SHALL NOT EXCEED 4". ALL SIGNING AND STRIPING SHALL CONFORM TO THE LATEST EDITION OF THE DE MUTCD.

AT REMOVE AND REPLACE LOCATIONS, 401506 SHALL BE PAID AND THE REMOVAL SHALL BE INCIDENTAL TO THIS ITEM. SPEED HUMPS REMOVED AS PART OF THE MILLING/PAVING OPERATION, SCHEDULED TO BE PUT BACK, SHALL BE REPLACED WITHIN SEVEN (7) DAYS OF COMPLETION OF PAVING. FAILURE TO COMPLY WILL RESULT IN A SUSPENSION OF ALL OTHER

GENERAL CONTRACT PLAN NOTES

CONTRACT WORK WITH TIME CHARGES CONTINUING TO BE ASSESSED. PAYMENT FOR THIS ITEM SHALL INCLUDE PERMANENT STRIPING AND DELINEATOR POSTS. IF PERMANENT STRIPING CANNOT BE PLACED THE SAME DAY AS THE SPEED HUMP PLACEMENT, TEMPORARY STRIPING SHALL BE APPLIED THE SAME DAY.

13. PAVING WILL INCLUDE INTERSECTING STREETS FROM P.C. TO P.C.: MILLING AND PAVING OF INTERSECTING STREETS WILL NOT BE CONSIDERED FOR ENTRANCE, DRIVEWAY AND INTERSECTING STREET PAVEMENT SURCHARGE, NOR WILL DRIVEWAYS AND ENTRANCES.

14. FOR BITUMINOUS CONCRETE PATCH:

- FOR DRIVEWAY APRONS (BEHIND CURB) PLACE 2 LIFTS OF 2" BITUMINOUS CONCRETE TYPE C.
- FOR FINISHED PATCHES IN FRONT OF CURB, PLACE 2 LIFTS OF 2" BITUMINOUS CONCRETE TYPE C.
- FOR TEMPORARY PATCHES IN FRONT OF CURB, PLACE 2 LIFTS OF 2" OF BITUMINOUS CONCRETE TYPE C OR AS DIRECTED BY THE AREA ENGINEER.
- THE ENGINEER MAY CHANGE TYPE OF BITUMINOUS CONCRETE AND DEPTHS AT THEIR DISCRETION.

15. ALL JOINTS AND PAVEMENT CRACKS SHALL BE SEALED WITHIN 14 DAYS OF COMPLETION OF PAVING. FAILURE TO COMPLY WILL RESULT IN A SUSPENSION OF ALL OTHER CONTRACT WORK WITH TIME CHARGES CONTINUING TO BE ASSESSED.

SECTION 500

16. ITEM 501001 PCC PAVEMENT, 8" IS DESIGNATED FOR 8" VALLEY GUTTER. WHEN REPLACING VALLEY GUTTERS, PLEASE REFER TO CONTRACT PLAN DETAILS. DOWEL BARS, WIRE MESH REINFORCEMENT, BITUMINOUS SEAL, AND EXPANSION, PCC SAWCUTS, AND GABC UNDER THE PCC ARE INCIDENTAL TO VALLEY GUTTER ITEM (501001).

SECTION 600

17. DRAINAGE INLET GRATES ADJACENT TO THE ROAD, WITHIN THE PROJECT LIMITS, WHICH ARE NOT TYPE 1 SHALL BE REPLACED WITHIN 7 DAYS OF PAVING. THE NEED FOR ANY GRATE MODIFICATIONS OR FOR NEW FRAMES SHALL BE DETERMINED BY THE ENGINEER. ALL REPLACED GRATES/ FRAMES SHALL BE DELIVERED TO THE CANAL DISTRICT MAINTENANCE YARD, OR AS DIRECTED WITH THE COST OF DELIVERY INCIDENTAL TO 602100/602101, REPLACING DRAINAGE INLETS GRATES/FRAMES. FINAL PAYMENT FOR REPLACED GRATES/ FRAMES SHALL

DEPARTMENT OF TRANSPORTATION

CONTRACT NUMBER- T202604905 CANAL
SUBDIVISION PAVING, NEW CASTLE COUNTY V, 2026

(CAD) PAGE 14 OF 68

GENERAL CONTRACT PLAN NOTES

NOT BE MADE UNTIL RECEIPT OF DELIVERED MATERIALS IS PRODUCED AND SIGNED BY A DELDOT REPRESENTATIVE. PLEASE CALL 302-326-4523 TO GET DIRECTIONS PRIOR TO DROP-OFF.

18. CATCH BASIN ON GRADE (COG) INLET DIMENSIONS INCLUDE TROUGH LENGTH AND BOX DIMENSIONS VARY FROM 3'x5' to 6'x13". CONTRACTOR SHALL REMOVE THE COVER SLAB AND EXISTING MANHOLE FRAME AND LID, CLEAN MANHOLE FRAME AND LID AND SET ASIDE FOR REUSE. CONTRACTOR SHALL REPAIR THE WALLS WITH SOLID BRICK/BLOCK TO A DEPTH DETERMINED BY THE ENGINEER. A BUTYL SEAL SHALL BE APPLIED TO THE TOP COURSE. A 3/8" THICK STEEL SHEET WITH A 24" HOLE CUT ON CENTER SHALL BE PLACED ON TOP. FORMS SHALL BE CONSTRUCTED FOR 6" OF CLASS B CONCRETE TO BE PLACED ATOP THE STEEL SHEETING WITH #4 REBAR, 6" ON CENTER REUSING MANHOLE FRAME AND LID. WORK TO ADJUST OR REPAIR FLOW CHANNELS AND INSTALL STEPS IS EXCLUDED FROM DEPTH OF REPAIR PAYMENT ADJUSTMENTS. DEWATERING SHALL BE INCIDENTAL TO THE REPAIR.

COG INLET SHALL BE PAID FOR UNDER ITEM 602012 – DRAINAGE INLET, SPECIAL. THE DEPARTMENT WILL PAY THE QUANTITY OF ITEM 602012 AT THE CONTRACT UNIT PRICE. PRICE AND PAYMENT WILL CONSTITUTE FULL COMPENSATION.

19. CATCH BASINS WITH A MANHOLE SHALL BE CONVERTED TO A STANDARD CATCH BASIN AT THE DISCRETION OF THE ENGINEER. A 6" COVERSLAB WITH REBAR 6-8" ON CENTER AND MINIMUM OF 6" OF TOPSOIL ON TOP SHALL REPLACE MANHOLE. PAYMENT FOR ADDITIONAL WORK SHALL BE PAID AN ADDITIONAL QUANTITY OF 0.5 THE BID AMOUNT FOR ITEM 602130 OR 602131. WORK TO ADJUST OR REPAIR FLOW CHANNELS AND INSTALL STEPS IS EXCLUDED FROM DEPTH OF REPAIR PAYMENT ADJUSTMENTS. DEWATERING SHALL BE INCIDENTAL TO THE REPAIR.

20. WHEN ENCOUNTERING DELDOT STORMWATER MANHOLES WITHIN LIMITS OF PAVING, THOSE MANHOLES WILL BE ADJUSTED AND UPDATED AT THE DISCRETION OF THE ENGINEER. ITEMS 602102/602103 SHALL BE FULL COMPENSATION (FURNISH AND INSTALLING) THE NEW LIDS AND FRAMES.

21. WHEN ENCOUNTERING NEW CASTLE COUNTY SANITARY MANHOLES WITHIN THE LIMITS OF PAVING, THOSE MANHOLES WILL BE ADJUSTED AND UPDATED AT THE DISCRETION OF THE ENGINEER. THE LIDS AND FRAMES ARE PROVIDED BY NEW CASTLE COUNTY AT NO COST TO THE CONTRACTOR. OBTAINING, STORING, DELIVERING, AND PLACING THESE NEW LIDS AND FRAMES SHALL BE INCIDENTAL TO THE ADJUSTMENT ITEM 602132.

ANY ADJUSTMENTS TO THE AFOREMENTIONED MUNICIPALLY OWNED FACILITIES SHALL BE DONE IN ACCORDANCE WITH THE RESPECTIVE AGENCIES STANDARD SPECIFICATIONS, AS CONSTRUCTION WARRANTS.

GENERAL CONTRACT PLAN NOTES

SECTION 700

22. BUTT JOINTS SHALL BE CONSTRUCTED AT ALL INTERSECTING BITUMINOUS CONCRETE ROADS AND ANY OTHER LOCATIONS AS DIRECTED BY THE ENGINEER. BUTT JOINTS AT RAILROAD CROSSINGS AND AT BRIDGE OR DRAINAGE STRUCTURES NOT TO BE RESURFACED SHALL BE AS PER THE INCLUDED PLAN DETAIL. BUTT JOINTS CUT PRIOR TO THE DAY OF PAVEMENT OVERLAY SHALL BE RAMPED WITH BITUMINOUS CONCRETE TRM, IN MILLING AREAS, INCIDENTAL TO THE ITEM 762004 BUTT JOINT. ONLY BITUMINOUS CONCRETE WILL BE ALLOWED FOR THIS PURPOSE. BUTT JOINTS IN FULL MILL AREAS SHALL BE INCIDENTAL TO THE PAVEMENT MILLING ITEM (760010). SAWCUTS FOR BUTT JOINTS SHALL BE INCIDENTAL TO THE BUTT JOINT ITEM. ALL BITUMINOUS CONCRETE TRM SHALL BE REMOVED PRIOR TO THE PAVING OPERATION.

23. AFTER PAVEMENT MILLING, ALL TRANSVERSED VERTICAL DIFFERENCES, RAISED EDGES OF MANHOLES, DRAINAGE INLETS, WATER VALVE BOXES, ETC. SHALL BE RAMPED WITH BITUMINOUS CONCRETE TRM AT A 20:1 OR FLATTER SLOPE PRIOR TO OPENING THE ROADWAY TO TRAFFIC AND SHALL BE INCIDENTAL TO PAVEMENT MILLING. PAVEMENT MILLINGS OR COLD PATCH MATERIAL WILL NOT BE ALLOWED FOR THIS PURPOSE.

ALL ADJUSTMENTS SHALL BE MADE NOT MORE THAN SEVEN (7) CALENDAR DAYS PRIOR TO THE PLACEMENT OF THE FINAL COURSE OF BITUMINOUS CONCRETE, UNLESS DIRECTED BY THE ENGINEER. FAILURE TO COMPLY WILL RESULT IN A SUSPENSION OF ALL OTHER CONTRACT WORK WITH TIME CHARGES CONTINUING TO BE ASSESSED.

ALL BITUMINOUS CONCRETE TRM SHALL BE REMOVED PRIOR TO THE PAVING OPERATIONS. IF THE CONTRACTOR ELECTS TO ADJUST MANHOLES, DRAINAGE INLETS AND WATER VALVES AFTER THE FINAL COURSE OF PAVING, THIS WORK MUST BE COMPLETED WITHIN SEVEN (7) CALENDAR DAYS OF THE FINAL COURSE OF BITUMINOUS CONCRETE. FAILURE TO COMPLY WILL RESULT IN A SUSPENSION OF ALL OTHER CONTRACT WORK WITH TIME CHARGES CONTINUING TO BE ASSESSED.

24. THE CONTRACTOR SHALL TAKE CARE IN REMOVING PAVEMENT AROUND UTILITIES, BUTT JOINTS, CURBS, ETC. SO THAT EXISTING PAVEMENT BEYOND THE SPECIFIED DEPTHS IS NOT DAMAGED. ANY DAMAGE CAUSED BY THE CONTRACTOR'S OPERATIONS MAY RESULT IN PLACING LEVELING COURSES AT THE CONTRACTOR'S EXPENSE. THE REMOVAL AND CLEAN UP OF THE HOT MIX RESIDUE WEDGE REMAINING AFTER MILLING OPERATIONS SHALL BE INCIDENTAL TO THE MILLING ITEM. THE REMOVAL OF EXISTING RAISED PAVEMENT MARKERS (RPM'S) SHALL BE INCIDENTAL TO THE APPLICABLE MILLING AND/OR RECLAMATION ITEMS.

GENERAL CONTRACT PLAN NOTES

25. TAPER MILLING IS INTENDED FOR MILLING IN THE AREA OF FIXED STRUCTURES (I.E. CURBS, MANHOLES, ETC.) THE MILLED DEPTH AT THE STRUCTURE SHALL BE THE DEPTH OF THE PROPOSED OVERLAY AND 0" AT A DISTANCE OF +/- 6 ½ FEET FROM THE STRUCTURE. THE COMPUTED DEPTH FOR PAYMENT PURPOSES IS THE AVERAGE OF THE TWO DEPTHS.

UNLESS DIRECTED OTHERWISE BY THE AREA ENGINEER, ALL CUL-DE-SAC'S ON THIS CONTRACT SHALL BE TAPER MILLED AND WILL BE PAID AS ITEM 760011, TAPERMILL.

26. ON THIS CONTRACT FULL MILL AREAS WILL UTILIZE ITEM 760010 PAVEMENT MILLING, BITUMINOUS CONCRETE PAVEMENT (SY-IN). UNLESS OTHERWISE NOTED, ALL MILLING LOCATIONS ARE EXPECTED TO BE MILLED AT A 2" DEPTH. FOR AVERAGE MILLING DEPTHS OF 0.5" TO AN AVERAGE MILLING DEPTH OF 2.25", THE FULL MILL AREAS WILL BE PAID AT AN AVERAGE 2".

27. MILLING OF BITUMINOUS PAVEMENT IN PREPARTION FOR OVERLAY IS TO INCLUDE MILLING EXISTING CONCRETE PATCHES AND/OR COMPOSITE PAVING AND SHOULD BE CONSIDERED INCIDENTAL TO ITEM 760010, PAVEMENT MILLING, BITUMINOUS CONCRETE PAVEMENT.

28. ALL MILLED MATERIAL SHALL REMAIN THE PROPERTY OF THE CONTRACTOR UNLESS OTHERWISE STATED.

29. AT LOCATIONS THAT HAVE PCC REPLACEMENT, PAVING MUST BE COMPLETED WITHIN 90 CALENDAR DAYS FROM THE START OF THE PCC REPLACEMENT. BETWEEN OCTOBER 15TH AND NOVEMBER 30TH, PAVING MUST BE COMPLETED WITHIN 30 CALENDAR DAYS FROM THE START OF THE PCC REPLACEMENT. FAILURE TO COMPLY WILL RESULT IN A SUSPENSION OF ALL OTHER CONTRACT WORK WITH TIME CHARGES CONTINUING TO BE ASSESSED.

30. UPRIGHT PCC CURB UTILIZED FOR GRADE RETENTION 8" OR HIGHER WILL BE PAID AS 701013, TYPE 1-8 CURB.

31. EXCAVATION UP TO 2' IN FRONT OF CURB, ADA FACILITIES, DRAINAGE INLETS, AND VALLEY GUTTERS WILL BE INCIDENTAL TO THE CORRESPONDING ITEMS (701XXX, 705XXX, 602XXX, AND 501XXX). HOT MIX PLACED IN FRONT OF CURB WILL BE PAID UNDER ITEM 401XXX. USE OF CONCRETE AS FILL IN FRONT OF CURB WILL NOT BE ACCEPTED UNLESS DIRECTED BY THE ENGINEER. AT EACH LOCATION, BACKFILLING SHALL BE PERFORMED IMMEDIATELY UPON REMOVAL OF FORMS FOR CURB OR SIDEWALK. TOPSOIL, SEEDING, SEALING OF VALLEY GUTTERS, REMOVING OF FORMS, AND PARGING OF CATCH BASINS, SHALL BE COMPLETED WITHIN SEVEN (7) CALENDAR DAYS OF COMPLETION OF THE ITEM OF WORK. ITEM 908001, TOPSOIL, SHALL BE USED AS BACKFILL MATERIAL BEHIND CURB AND AROUND SIDEWALK OR/AS

DEPARTMENT OF TRANSPORTATION

**CONTRACT NUMBER- T202604905 CANAL
SUBDIVISION PAVING, NEW CASTLE COUNTY V, 2026**

(CAD) PAGE 17 OF 68

GENERAL CONTRACT PLAN NOTES

DIRECTED BY THE ENGINEER. TOPSOIL SHALL BE SCREENED/SIFTED SO AS NO MATERIAL GREATER THAN .5" SHOULD BE PRESENT IN MATERIAL USED FOR BACKFILL. EXCAVATED MATERIAL, NOT NEEDED ON THE PROJECT, SHALL BE REMOVED FROM THE CONTRACT AT THE CONTRACTORS EXPENSE. FAILURE TO COMPLY WILL RESULT IN A SUSPENSION OF ALL OTHER CONTRACT WORK WITH THE CHARGES CONTINUING TO BE ASSESSED.

32. AS DIRECTED BY THE ENGINEER, THE CONTRACTOR SHALL PARTIALLY SAW AND FILL EXISTING CRACKED CURB AND/OR SIDEWALK WITH AN APPROVED SEALER. THIS WORK WILL BE INCIDENTAL TO ITEM 762001 SAWCUT - CONCRETE FULL DEPTH.

33. PERTAINING TO PCC CURB REMOVAL & PATCHING, SAWCUTTING IS TO BE PERFORMED PRIOR TO THE REMOVAL OF BITUMINOUS CONCRETE UNLESS APPROVAL IS GIVEN BY THE ENGINEERS REPRESENTATIVE.

34. BEFORE THE START OF A DAY'S PAVEMENT MILLING OR PAVING OPERATIONS AND WHERE THERE IS EXISTING STRIPING, THE CONTRACTOR SHALL BE REQUIRED TO PROVIDE PROOF THAT SUFFICIENT APPROVED STRIPING MATERIALS ARE ON HAND TO ENSURE STRIPING IS COMPLETE BEFORE TRAFFIC IS RETURNED TO THE ROADWAY.

35. ITEM 710370 STEEL CASING PIPE-4" IS DESIGNATED FOR ROOF DRAIN. WHEN REPLACING OR EXTENDING ROOF DRAINS, SUMP PUMP DRAINS, ETC. FROM RIGHT-OF-WAY TO CURBLINE, ITEM 710370 WILL BE UTILIZED REGARDLESS OF PIPE MATERIAL OR SIZE.

36. GAS VALVE, MONUMENT BOX, AND LAMPHOLE ADJUSTMENTS WILL BE PAID AS 710002, WATER VALVE ADJUSTMENTS.

37. REMOVAL OF ANY UNSUITABLE MATERIALS INCLUDING ROOTS AND VEGETATIVE MATTER DISCOVERED WITHIN OR DIRECTLY BELOW THE TEMPLATE OF PCC / GRANITE CURB, PEDESTRIAN FACILITIES, AND/OR PCC / BRICK SIDEWALKS SHALL BE INCIDENTAL TO THE CORRESPONDING ITEM.

38. TRASH, RUBBISH, DEBRIS, OR BRUSH THAT HAMPERS REPAIR/MAINTENANCE WORK IN THIS CONTRACT (AS DETERMINED BY THE ENGINEER), SHALL BE REMOVED WITHIN THE PROJECT LIMITS AND SHALL BE INCIDENTAL TO PAY ITEM 763000 (INITIAL EXPENSE/DEMOBILIZATION).

39. CLEARING AND GRUBBING INCLUDES OBTAINING WIDTH AND HEIGHT REQUIREMENTS FOR PAR AND CLEARING OF SIGHT DISTANCE (INCLUDING EXISTING FACILITIES AND SIGNS). CLEARING AND GRUBBING OF TREES, SHRUBS AND OTHER VEGETATION LESS THAN 6" IN DIAMETER SHALL BE INCIDENTAL TO ITEM 763000 (INITIAL EXPENSE/DEMOBILIZATION).

40. GRASS AND SOIL AREAS WITHIN THE STATE RIGHT-OF-WAY AND ADJACENT PRIVATE

GENERAL CONTRACT PLAN NOTES

PROPERTY THAT HAS BEEN DAMAGED DURING CONTRACT OPERATIONS SHALL BE RESTORED WITH TOPSOIL, SEED AND MULCH AT THE CONTRATOR'S EXPENSE. WORK SHALL BE EXECUTED IN ACCORDANCE WITH THE REQUIREMENTS FOR ITEM 908001 (TOPSOIL), ITEM 908016 (PERMANENT GRASS SEEDING SUBDIVISION), AND ITEM 908020 (EROSION CONTROL BLANKET MULCH). REPAIRS MUST BE COMPLETED WITHIN SEVEN (7) CALENDAR DAYS OF NOTIFICATION. FAILURE TO COMPLY WILL RESULT IN A SUSPENSION OF ALL OTHER CONTRACT WORK WITH TIME CHARGES CONTINUING TO BE ASSESSED.

SECTION 800

41. THE USE OF MILLINGS AND GABC IN THE TRAVEL WAY, TEMPORARY TRAVEL WAY, HIGH VOLUME ENTRANCES AND ACCESS RAMP FOR THE PURPOSE OF PROVIDING A TEMPORARY ROADWAY SURFACE, POTHOLE REPAIR, TAPERED EDGE FOR UTILITIES, BUTT JOINTS, AND LONGITUDINAL DROP-OFFS (MILLING AND PAVING OPERATIONS) IS PROHIBITED UNLESS IT IS OTHERWISE DESIGNATED TO BE USED IN THE CONTRACT PLANS. USE COLD PATCH, BITUMINOUS CONCRETE, BITUMINOUS CONCRETE WEDGE, OR TAPER MILL, AS NOTED IN THE CONTRACT DOCUMENTS OR APPROVED BY THE ENGINEER. PAYMENT FOR COLD PATCH, BITUMINOUS CONCRETE, OR BITUMINOUS CONCRETE WEDGE SHALL BE INCIDENTAL TO THE BITUMINOUS CONCRETE MILLING ITEM.

MILLINGS OR GABC SHALL BE USED AT THE FOLLOWING LOCATIONS WHERE ACCESS TO A BUSINESS RESIDENCE, OR EDGE DROP OFF NEEDS TO BE MAINTAINED UNLESS OTHERWISE NOTED IN THE PLANS OR DIRECTED BY THE ENGINEER TO USE BITUMINOUS CONCRETE OR COLD PATCH. ALL MILLING AND GABC WILL BE ROLLED AND COMPACTED TO HELP PREVENT THE MATERIAL FROM UNRAVELING.

- A. DRIVEWAYS
- B. ENTRANCES
- C. LOW VOLUME ACCESS RAMPS (IDENTIFIED IN THE CONTRACT DOCUMENTS)
- D. EDGE DROP-OFFS ADJACENT TO LIVE ROADWAY (LANE, SHOULDER, OR TURN LANE) AND THE PROPOSED ROAD CONSTRUCTION
- E. EDGE OF ROADWAY DROP-OFF

GRADING AND MAINTAINING BASE COURSE THAT IS BEING USED FOR ROADWAY WEDGE/FILLET BETWEEN TRAVEL LANES AND PAVEMENT BOX, EDGE OF TRAVEL WAY, DRIVEWAY OR ENTRANCE ACCESS SHALL BE INCIDENTAL TO ITEM 801500 (MAINTENANCE OF TRAFFIC). THE

GENERAL CONTRACT PLAN NOTES

BASE COURSE MATERIAL SHALL BE PLACED AT NO GREATER THAN THE SLOPE SPECIFIED IN TABLE 6G-1 AND SHALL BE COMPACTED. EXCESS BASE COURSE MATERIAL SHALL BE PUSHED AHEAD AND USED IN THE NEXT SEGMENT AND SHALL BE INCIDENTAL TO THE PARTICULAR BASE COURSE PAY ITEM. NO SEPARATE PAYMENT SHALL BE MADE FOR MILLINGS OR GABC TEMPORARY ROADWAY MATERIAL (TRM) USED TO PROTECT EDGE DROP-OFFS, UNLESS THE MATERIAL IS EVENTUALLY UTILIZED AS PART OF A PERMANENT ROADWAY AT WHICH TIME THE MATERIAL WOULD BE PAID FOR UNDER THE RESPECTIVE CONTRACT MATERIAL ITEM. VERTICAL DIFFERENCES SHALL BE CORRECTED IN ACCORDANCE WITH TABLE 6G-1 OF THE DELAWARE MUTCD.

42. LANE CLOSURES ON 3-DIGIT MAINTENANCE ROADS ARE PERMITTED ONLY BETWEEN THE HOURS OF 9:00 AM AND 3:00 PM, MONDAY - FRIDAY. ANY VARIANCE SHALL REQUIRE DISTRICT SAFETY OFFICERS APPROVAL.

43. MESSAGE BOARDS SHALL BE PLACED 10 DAYS IN ADVANCE OF THE WORK AND SHALL REMAIN IN PLACE FOR 5 DAYS AFTER THE START OF WORK. LOCATIONS OF MESSAGE BOARDS AND MESSAGES DISPLAYED SHALL BE REVIEWED AND APPROVED BY THE DISTRICT SAFETY OFFICER.

44. AT EACH LOCATION, THE CONTRACTOR SHALL NOTE ALL EXISTING PAVEMENT MARKINGS AND SUBMIT A DRAWING WHICH DEPICTS THE STRIPING PATTERN TO THE DEPARTMENT PRIOR TO THE START OF ANY WORK AT THE LOCATION.

AT THE END OF EACH DAY'S OPERATION AND BEFORE TRAFFIC IS RETURNED TO UNRESTRICTED ROADWAY USE, TEMPORARY MARKINGS SHALL BE UTILIZED AT LOCATIONS THAT REQUIRE PERMANENT MARKING. TEMPORARY PAVEMENT STRIPING MUST MATCH PERMANENT PAVEMENT STRIPING IN ALL REGARDS.

TEMPORARY PAVEMENT MARKINGS SHALL BE PAID AT THE APPLICABLE CONTRACT UNIT PRICE. THE CONTRACTOR IS RESPONSIBLE FOR MAINTAINING THE TEMPORARY MARKINGS IN GOOD CONDITION SUCH THAT THE PAVEMENT IS PROPERLY DELINEATED AT ALL TIMES. ANY REFRESHING OF THE TEMPORARY MARKINGS WILL BE AT THE CONTRACTOR'S EXPENSE.

GENERAL CONTRACT PLAN NOTES

FINAL PAVEMENT MARKINGS SHALL CONFORM TO ALL EXISTING PATTERNS AND SHALL BE PLACED WITHIN FIVE (5) CALENDER DAYS (MAXIMUM) AFTER PLACEMENT OF THE FINAL COURSE OF BITUMINOUS CONCRETE. IF THE CONTRACTOR FAILS TO DOCUMENT THE EXISTING PAVEMENT MARKINGS IN AN ACCEPTABLE MANNER, HE SHALL BE REQUIRED TO PROVIDE AT HIS OWN EXPENSE, A NEW PAVEMENT MARKING PLAN SIGNED AND SEALED BY A PROFESSIONAL ENGINEER REGISTERED IN THE STATE OF DELAWARE.

ANY ERRONEOUS MARKING WILL NOT BE PAID FOR AND SHALL BE CORRECTED IMMEDIATELY AT THE CONTRACTOR'S EXPENSE. ERRONEOUS MARKINGS OR SHADOWS THAT EXCEED ONE (1) INCH IN WIDTH SHALL BE REMOVED BY EITHER SAND OR WATER BLASTING. NO OTHER REMOVAL METHODS WILL BE ALLOWED. A FLAT BLACK PAINT OR DRIVEWAY SEALER SHALL BE APPLIED IN THE AREA OF THE REMOVED MARKING TO MASK THE REPAIR. ANY DAMAGE TO THE PAVEMENT CAUSED BY REMOVAL OF ERRONEOUS MARKINGS SHALL BE REPAIRED / REPLACED TO THE SATISFACTION OF THE ENGINEER. FAILURE TO COMPLY WILL RESULT IN SUSPENSION OF ALL OTHER CONTRACT WORK WITH TIME CHARGES CONTINUING TO BE ASSESSED.

45. THE CONTRACTOR, WITH THE ENGINEER, SHALL INVENTORY ALL SIGNS ON ALL ROADS SUBJECT TO IMPROVEMENTS. NECESSARY SIGNS SHALL BE MAINTAINED IN OPERATION DURING CONSTRUCTION AND ANY OTHER SIGNS SHALL BE PROPERLY STORED WITH THE CONTRACTOR, WHO SHALL BE RESPONSIBLE FOR LOSS OR DAMAGE. IMMEDIATELY PRIOR TO FINAL INSPECTION, THE CONTRACTOR AND ENGINEER SHALL AGAIN INVENTORY THE TRAFFIC SIGNS AND ACCOUNT FOR ANY LOST OR DAMAGED SIGNS. LOST OR DAMAGED SIGNS, AT THE DISCRETION OF THE ENGINEER SHALL BE REPLACED IN KIND AT THE CONTRACTOR'S EXPENSE.

46. REGULATORY SIGNS REMOVED MUST BE REINSTALLED THE SAME DAY. IN ABSENCE OF A SIGN SCHEDULE, INSTALLATION OR REMOVAL OF TRAFFIC SIGN(S) AND SIGNPOST(S) WILL BE PAID AS ITEM 819003. THIS ITEM SHALL INCLUDE THE REMOVAL OF THE EXISTING SIGN(S) AND SIGNPOST(S), THE BORING/CREATION OF THE NEW HOLE, AND THE PLACEMENT OF THE SIGN(S) AND SIGNPOST(S) IN THE NEW LOCATION. ITEM 819003 WILL BE PAID ONE TIME PER POST AFTER FINAL INSTALLATION.

47. A FORMAL DETOUR WILL NOT BE NECESSARY ON THIS CONTRACT. THE CONTRACTOR MUST MAINTAIN LOCAL TRAFFIC WITHIN THE PROJECT LIMITS UTILIZING FLAGGERS. MAINTENANCE OF TRAFFIC DURING LANE CLOSURES AND/OR LANE SHIFTS SHALL CONFORM TO TYPICAL APPLICATIONS OF THE DELAWARE MUTCD. ANY VARIANCE SHALL REQUIRE DISTRICT SAFETY OFFICERS APPROVAL.

GENERAL CONTRACT PLAN NOTES

48. BEFORE WORK IS DONE AT ANY LOCATION, THE APPROPRIATE DISTRICT SAFETY OFFICER MUST APPROVE THE MOT FOR THAT LOCATION TWO WEEKS IN ADVANCE. ANY ANTICIPATED IMPACT TO TRAFFIC SIGNALS MUST BE REVIEWED BY THE DELDOT TRAFFIC SECTION PRIOR TO CONSTRUCTION. THEY CAN BE CONTACTED AT 302-659-4061.

49. THE CONTRACTOR SHALL SUBMIT A TRAFFIC CONTROL PLAN, INCLUDING PEDESTRIAN AND BICYCLE FACILITIES, FOR ALL DEVICES THAT WILL BE UTILIZED PRIOR TO THE PRE-CONSTRUCTION MEETING. ALL TRAFFIC CONTROL DEVICES SHALL BE IN NEW OR REFURBISHED CONDITION AND MUST BE ON DELDOT'S APPROVED PRODUCTS LIST (APL). THE DEVICES SHALL BE APPROVED BY THE SAFETY SECTION PRIOR TO USE AND SHALL BE MAINTAINED IN GOOD CONDITION FOR THE DURATION OF THE CONTRACT.

50. ALL WORK SHALL BE PERFORMED IN A MANNER THAT WILL REASONABLY PROVIDE THE LEAST PRACTICABLE OBSTRUCTION TO ALL ROAD USERS, INCLUDING VEHICULAR, PEDESTRIAN AND BICYCLE TRAFFIC, AND SHALL CONFORM TO THE REQUIREMENTS OF THE 2011 DELAWARE MANUAL ON UNIFORM TRAFFIC CONTROL DEVICES, PART 6, INCLUDING ALL REVISIONS UP TO THE DATE OF ADVERTISEMENT FOR BIDS.

51. CURB RAMP AND/OR SIDEWALK CONSTRUCTION (NOT INCLUDING MEDIAN ISLANDS) SHALL BE COMPLETED DURING A SINGLE OPERATION. THE RAMP/SIDEWALK SHALL BE REMOVED AND PLACED BACK THE SAME NIGHT/DAY AND OPEN TO PEDESTRIAN TRAFFIC THE FOLLOWING DAY. THE USE OF A MONOLITHIC POUR SHALL BE PERMITTED WITH A BOND BREAKER TO BE PLACED AT THE BACK OF THE CURB AND EDGE OF SIDEWALK. IF THE CURB RAMP/SIDEWALK CANNOT BE COMPLETED IN A SINGLE OPERATION THE EXCAVATED AREA MUST BE TEMPORARILY BACKFILLED TO GRADE WITH COMPACTED MILLING MATERIAL ONLY. THIS TEMPORARY MATERIAL WILL BE INCIDENTAL TO THE CURB RAMP ITEM. THE DRESSING UP OF THE AREA BEING PAID AS A CURB RAMP WITH TOPSOIL AND SEED WILL BE PAID AT CONTRACT UNIT PRICES. THE CONTRACTOR SHALL MAINTAIN ACCESS TO AND ALONG PEDESTRIAN FACILITIES AT ALL TIMES DURING CONSTRUCTION. EARTH, STONE AND GRAVEL SURFACES ARE NOT ACCEPTABLE FOR PROVIDING PEDESTRIAN ACCESS. IF CURB RAMP CANNOT BE COMPLETED IN A SINGLE OPERATION AND PEDESTRIAN ROUTES ARE CLOSED OR BLOCKED, ALTERNATE PEDESTRIAN ACCESS SHALL BE PROVIDED USING TA-28 AND/OR TA-29 OF THE 2011 DELAWARE MANUAL ON UNIFORM TRAFFIC CONTROL DEVICES OR TO THE SATISFACTION OF THE ENGINEER. PEDESTRIAN DETOUR ROUTES OR ALTERNATE PEDESTRIAN FACILITIES SHALL CONSIST OF ADA COMPLIANT FACILITIES TO THE LEVEL OF WHICH EXISTS ON THE PEDESTRIAN ROUTE. THE COST FOR ANY PROVISIONS SHALL BE INCIDENTAL TO ITEM 801500 - MAINTENANCE OF TRAFFIC - ALL INCLUSIVE.

PEDESTRIAN MAINTENANCE OF TRAFFIC: THIS WORK SHALL CONSIST OF PROVIDING AND MAINTAINING AN ACCESSIBLE PEDESTRIAN ROUTE THROUGHOUT THE PROJECT'S LIMITS IN ACCORDANCE WITH *THE AMERICANS WITH DISABILITIES ACT OF 1990 (ADA) TITLE II, PARAGRAPH 35.130*.

GENERAL CONTRACT PLAN NOTES

THE CONTRACTOR SHALL BE REQUIRED TO REVIEW EACH CURB RAMP LOCATION AND SUBMIT THE APPROPRIATE MAINTENANCE OF TRAFFIC DETAIL AND DEVICES TO THE ENGINEER FOR EACH LOCATION AT LEAST 2-WEEKS BEFORE CONSTRUCTION FOR REVIEW, COMMENT, AND APPROVAL BY THE DISTRICT SAFETY OFFICER.

THE FOLLOWING CONSIDERATIONS SHALL BE TAKEN INTO ACCOUNT WHEN ADDRESSING ACCESSIBLE PEDESTRIAN MAINTENANCE OF TRAFFIC:

- ALL PEDESTRIANS, INCLUDING PERSONS WITH DISABILITIES, SHALL BE PROVIDED WITH A REASONABLY SAFE, CONVENIENT AND ACCESSIBLE PATH THAT REPLICATES AS MUCH AS PRACTICABLE THE EXISTING PEDESTRIAN FACILITIES.
- MAINTAIN ACCESS TO ALL BUSINESS AND RESIDENTS AT ALL TIMES.
- PROVIDE PEDESTRIAN ACCESS THRU OR AROUND THE WORK ZONE. IF A DETOUR IS CHOSEN THE CONTRACTOR MUST SUBMIT THE DETOUR ROUTE TO THE ENGINEER FOR REVIEW AND APPROVAL. THE DETOUR ROUTE MUST MEET OR EXCEED THE CURRENT CONDITIONS.
- WORK SHOULD BE PHASED SO THAT ALL AREAS OF AN INTERSECTION/SIDEWALK PATH ARE NOT UNDER CONSTRUCTION AT THE SAME TIME UNLESS A CLEAR PATH IS PROVIDED AND IDENTIFIED.
- TRAFFIC CONTROL DEVICES AND OTHER CONSTRUCTION MATERIALS AND FEATURES SHALL NOT INTRUDE INTO THE USABLE WIDTH OF THE SIDEWALK, TEMPORARY PATHWAY OR OTHER PEDESTRIAN FACILITY.
- SIGNS AND OTHER DEVICES MOUNTED LOWER THAN 7 FT ABOVE THE TEMPORARY PEDESTRIAN PATHWAY SHALL NOT PROJECT MORE THAN 4 IN. INTO ACCESSIBLE PEDESTRIAN ROUTE.
- A SMOOTH, CONTINUOUS HARD SURFACE SHALL BE PROVIDED THROUGHOUT THE ENTIRE LENGTH AND WIDTH OF THE PEDESTRIAN ROUTE THROUGHOUT CONSTRUCTION. THERE SHALL BE NO CURBS OR VERTICAL ELEVATION CHANGES GREATER THAN ¼ IN. IN GRADE OR TERRAIN THAT COULD CAUSE TRIPPING OR BE A BARRIER TO WHEELCHAIR USE.

SECTION 900

52. EROSION CONTROL MULCH BLANKET SHALL BE USED IN ALL DISTURBED AREAS UNLESS DIRECTED OTHERWISE BY THE ENGINEER.

GENERAL CONTRACT PLAN NOTES

ADDITIONAL PROJECT NOTES

53. UNDERGROUND UTILITIES MAY BE PRESENT AT ALL LOCATIONS. THEREFORE, ALL STANDARD PRACTICES AND PROCEDURES REGARDING UTILITIES SHALL BE FOLLOWED. THE CONTRACTOR SHALL CONTACT MISS UTILITY OF DELAWARE PRIOR TO STARTING WORK. THE CONTRACTOR IS RESPONSIBLE FOR THE SUPPORT AND PROTECTION OF ALL UTILITIES WHEN EXCAVATING WHICH SHALL BE INCIDENTAL TO THE RESPECTIVE EXCAVATION ITEM(S). THE CONTRACTOR IS RESPONSIBLE FOR ENSURING PROPER CLEARANCES, INCLUDING SAFETY CLEARANCES, FROM OVERHEAD UTILITIES FOR CONSTRUCTION EQUIPMENT. THE CONTRACTOR IS ADVISED TO CHECK THE SITE FOR ACCESS PURPOSES FOR THEIR EQUIPMENT AND MAKE ARRANGEMENTS DIRECTLY WITH THE UTILITY COMPANIES FOR FIELD ADJUSTMENTS FOR ADEQUATE CLEARANCES, IF NECESSARY.

54. NO UTILITY RELOCATION INVOLVEMENT IS ANTICIPATED. SHOULD ANY CONFLICTS BE ENCOUNTERED DURING CONSTRUCTION REQUIRING ADJUSTMENT AND/OR RELOCATION OF THE AGENCIES' EXISTING FACILITIES, THE NECESSARY RELOCATION WORK SHALL BE ACCOMPLISHED BY THE RESPECTIVE AGENCIES' FORCES, AS DIRECTED BY THE DISTRICT ENGINEER. ANY ADJUSTMENTS AND/OR RELOCATIONS OF MUNICIPALLY OWNED FACILITIES SHALL BE DONE BY THE STATE'S CONTRACTOR IN ACCORDANCE WITH THE RESPECTIVE AGENCIES' STANDARD SPECIFICATIONS AS DIRECTED BY THE DISTRICT ENGINEER.

55. NO ENVIRONMENTAL PERMITS ARE REQUIRED FOR THIS WORK PROVIDED NO JURISDICTIONAL WETLANDS OR WATERS ARE IMPACTED. IF THERE IS ANY QUESTION AS TO WHETHER OR NOT A WATER OR WETLAND IS JURISDICTIONAL, CONTACT THE DEL DOT ENVIRONMENTAL SECTION AT 302-760-2264.

56. IT IS ANTICIPATED THAT ALL WORK WILL OCCUR WITHIN DELDOT'S EXISTING RIGHT OF WAY OR EASEMENT AREAS. SHOULD THE NEED OCCUR TO TRESPASS ONTO PRIVATE PROPERTY; IT WILL BE THE RESPONSIBILITY OF THE PROJECT MANAGER TO SECURE SUCH TRESPASS NEEDS.

57. NO WORK NEAR OR WITHIN RAILROAD RIGHT-OF-WAY IS ANTICIPATED. IF ANY RAILROAD PROPERTY OR FACILITIES ARE NEAR OR WITHIN THE PROPOSED LIMITS OF WORK OR IF THE PROPOSED WORK ENCROACHES UPON THE RAILROAD'S RIGHT-OF-WAY, THE CONTRACTOR SHALL BE RESPONSIBLE FOR OBTAINING THE REQUIRED CLEARANCES AND INSURANCES FOR EACH INVOLVED RAILROAD IN ACCORDANCE WITH THE APPROPRIATE DELDOT MAINTENANCE OF RAILROAD TRAFFIC ITEM. DELDOT'S RAILROAD SECTION MANAGER MUST BE CONTACTED AT (302) 659-4087 TO COORDINATE THE EXECUTION OF THE APPROPRIATE AGREEMENTS AND AUTHORIZATIONS REQUIRED FROM ANY RAILROAD COMPANY INVOLVED, INCLUDING

DEPARTMENT OF TRANSPORTATION

**CONTRACT NUMBER- T202604905 CANAL
SUBDIVISION PAVING, NEW CASTLE COUNTY V, 2026**

(CAD) PAGE 24 OF 68

GENERAL CONTRACT PLAN NOTES

COORDINATION FOR RAILROAD FLAGGING, IF NECESSARY. ELECTRONIC SUBMITTALS CAN BE SENT TO DOT_RAILROAD@DELAWARE.GOV.

58. THE PROJECT MANAGER SHALL BE RESPONSIBLE FOR COORDINATING WITH THE TRAFFIC SECTION RELATING TO ANY IMPACTS TO TRAFFIC SECTION FACILITIES (INCLUDING BUT NOT LIMITED TO TRAFFIC LOOPS, JUNCTION WELLS ETC.) AT LEAST 4 WEEKS IN ADVANCE OF THE START OF THE ACTIVITY. PRIOR TO INITIATING ANY WORK ON THIS CONTRACT (OR SITES), THE PROJECT MANAGER SHALL BE RESPONSIBLE FOR PREPARING AND SUBMITTING FOR APPROVAL OF THE SAFETY SECTION, A MAINTENANCE OF TRAFFIC PLAN. SUFFICIENT TIME SHALL BE PROVIDED FOR THE REVIEW AND APPROVAL OF THE PLAN. THE MAINTENANCE OF TRAFFIC PLAN SHALL INCLUDE PROPOSED TIME RESTRICTIONS ON THE CLOSURE OF TRAVEL LANES SUBJECT TO THE APPROVAL OF THE SAFETY SECTION. TRAFFIC LOOPS MUST BE PUT BACK WITHIN 7 DAYS OF PAVING, FAILURE TO COMPLY WILL RESULT IN A SUSPENSION OF ALL OTHER CONTRACT WORK WITH TIME CHARGES CONTINUING TO BE ASSESSED.

59. THE DEPARTMENT RESERVES THE RIGHT TO REQUEST AN EXTENSION OF THIS CONTRACT, WITH THE AGREEMENT OF THE CONTRACTOR, AT THE CURRENT CONTRACT PRICES.

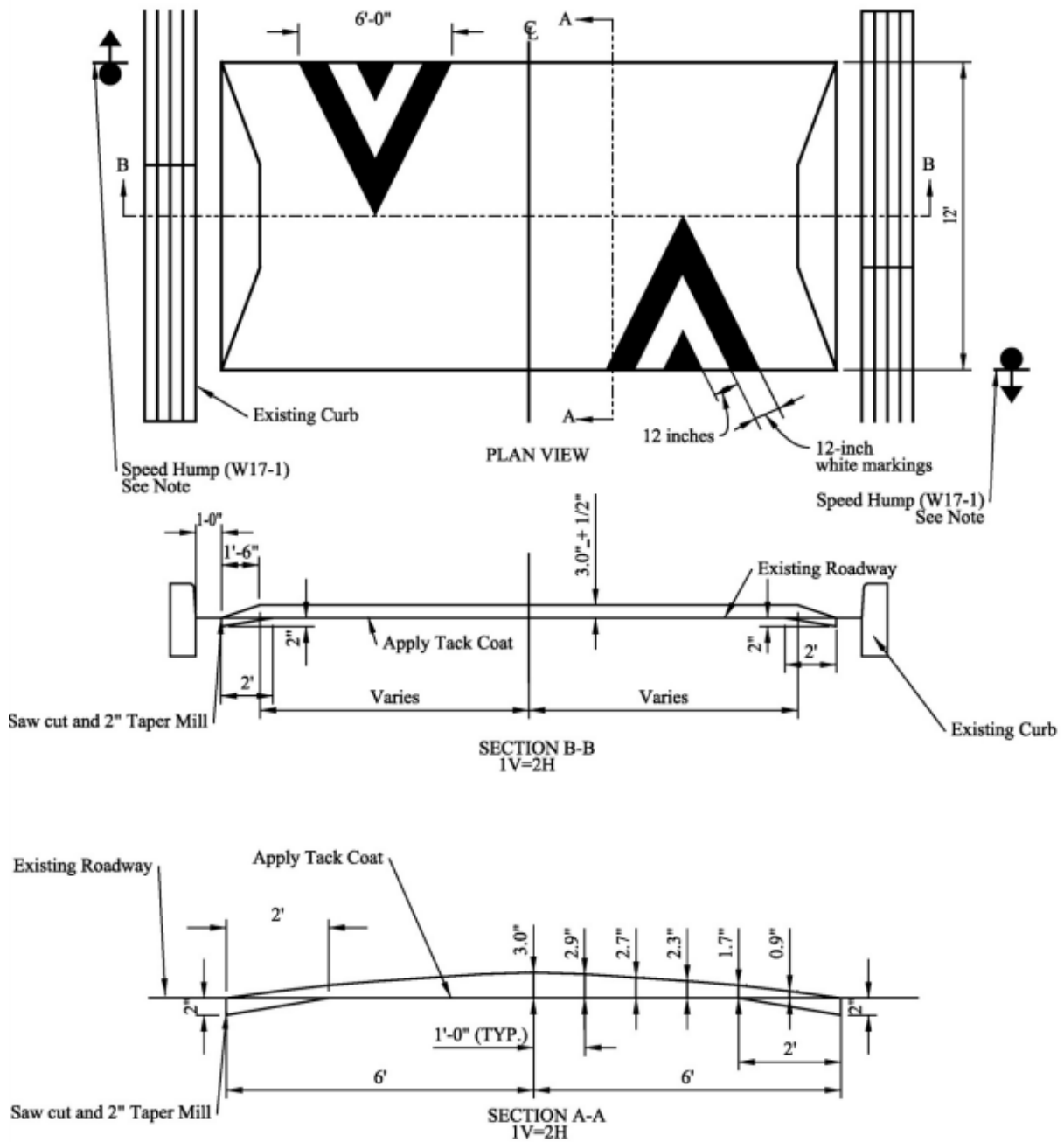
Oct 2025

CANAL

Contract is for various locations throughout New Castle County.

DETAILS SHEET

SPEED HUMP



NOTE:
1. ALL SIGNING AND STRIPING SHALL CONFORM TO THE LATEST EDITION OF THE DE MUTCD.

DELAWARE DEPARTMENT OF TRANSPORTATION

CONTRACT NUMBER- T202604905

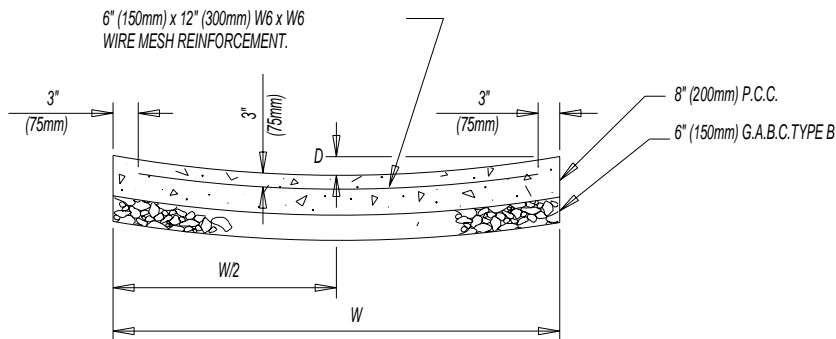
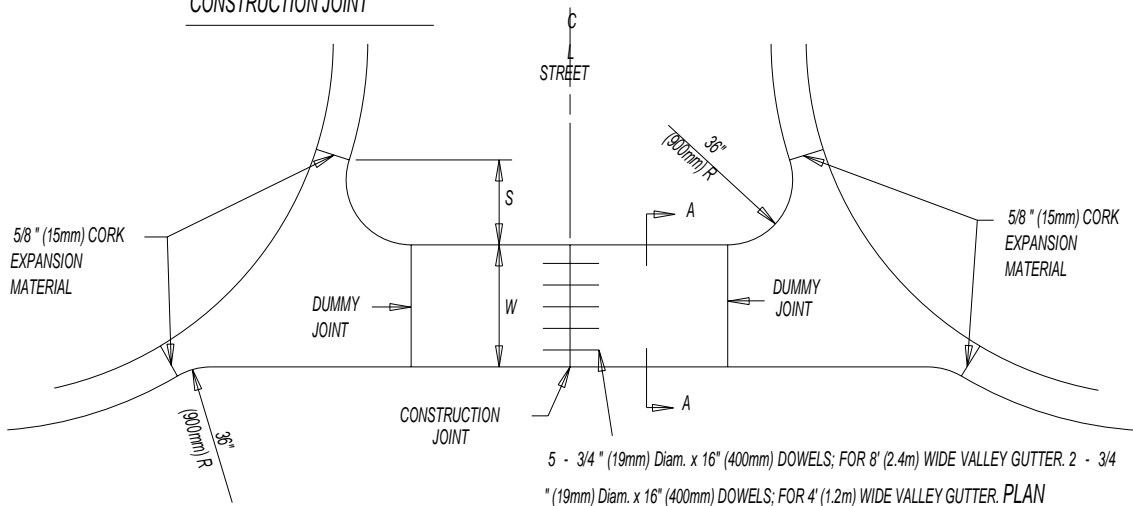
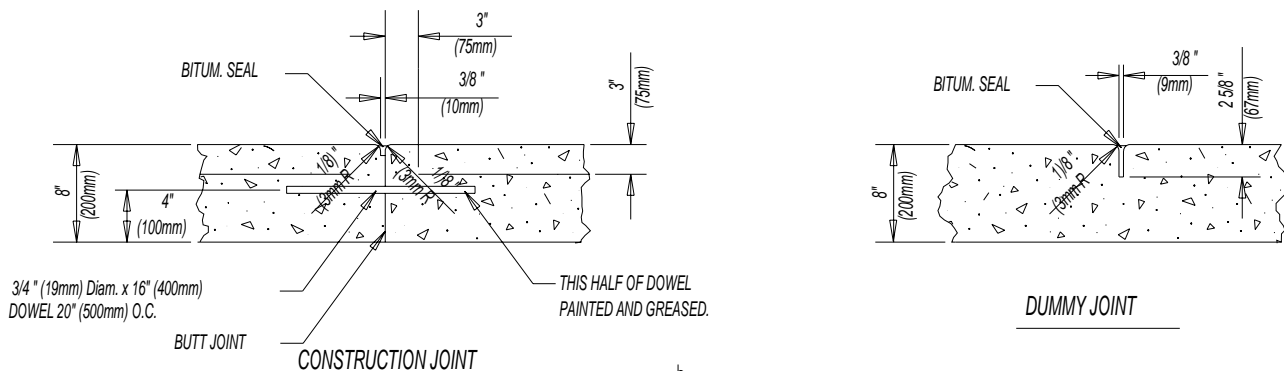
(CAD) PAGE 26 OF 68

CANAL

Contract is for various locations throughout New Castle County.

DETAILS SHEET

P.C.C. VALLEY GUTTER



WIDTH W	DEPTH D	OFFSET S
8' (2.4m)	3" (75mm)	16" (405mm)
4' (1.2m)	1 1/2" (38mm)	23 1/2" (585mm)

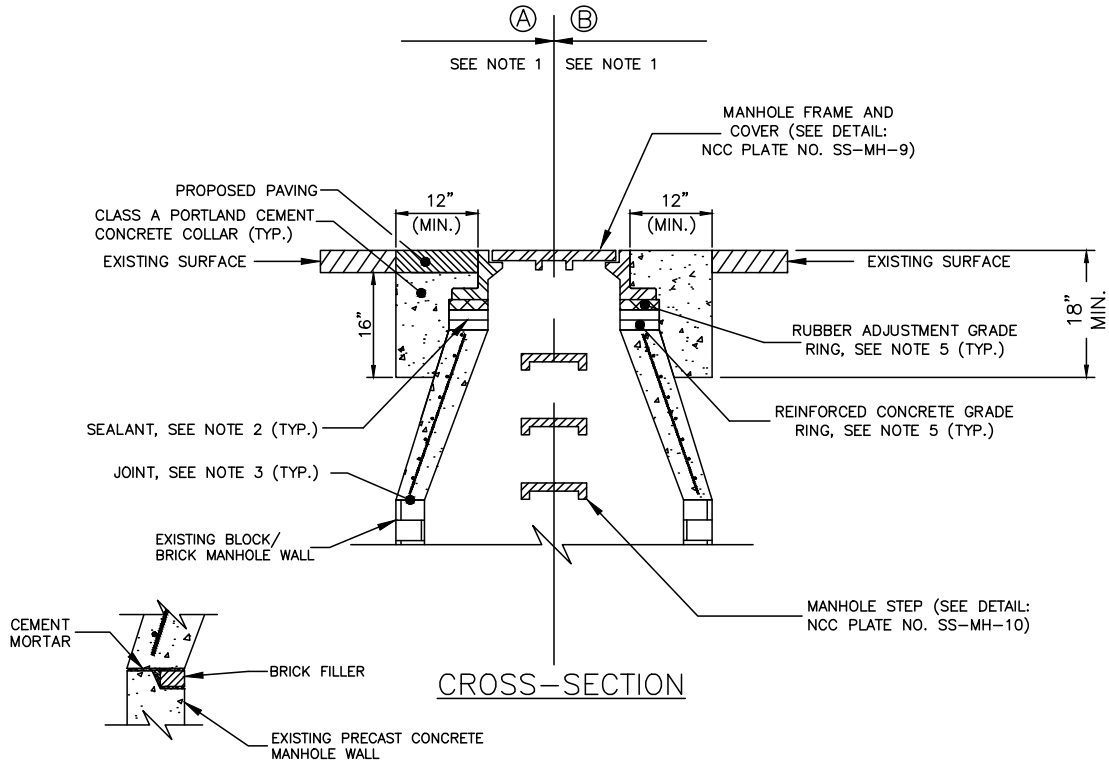
SECTION A-A

CANAL

Contract is for various locations throughout New Castle County.

DETAILS SHEET

PAVED AREA MANHOLE CONE SECTION DETAIL (NTS)



CROSS-SECTION OF JOINT AT PRECAST MANHOLE

NOTES:

1. AT THE DISCRETION OF THE CONTRACTOR, EITHER OPTION 'A' OR 'B' MAY BE INSTALLED ACCORDING TO DeIDOT SPECIFICATIONS.
 - (A) CONTRACTOR SHALL PAVE TO TOP OF MANHOLE FRAME TO MATCH EXISTING CONDITIONS PER DeIDOT STANDARD.
 - (B) CONTRACTOR WILL INSTALL SQUARE CONCRETE COLLAR, 12" FROM MANHOLE FRAME, TO TOP OF MANHOLE FRAME PER DeIDOT STANDARD.
2. SEAL EVERY JOINT IN MANHOLE 'CHIMNEY' BETWEEN THE FRAME AND RUBBER GRADE RING, BETWEEN EACH GRADE RING AND BETWEEN GRADE RING AND TAPERED CONE SECTION USING ADHESIVE SEALANT CONFORMING TO ASTM D3498 AND SUITABLE FOR USE WITH MASONRY, RUBBER AND METAL MATERIALS. APPLY IN CONTINUOUS 1/2 INCH BEADS (MIN. TWO BEADS EVERY JOINT).
3. SEAL PRECAST CONE SECTION TO COMPETENT LAYER OF BLOCK OR BRICK USING CEMENT MORTAR. IF EXISTING MANHOLE IS PRE-CAST CONCRETE, SECURE BRICK IN GROOVED JOINT, WITH CEMENT MORTAR PRIOR TO PLACING CONE SECTION.
4. ADJUSTMENT RISERS OF ANY TYPE (I.E. BRICK) MAY NOT BE USED AS A SUBSTITUTE FOR GRADE RINGS.
5. HEIGHT OF RUBBER GRADE RING(S) NOT TO EXCEED 3". COMBINED HEIGHT OF GRADES RINGS NOT TO EXCEED 12" (SEE DETAIL: NCC PLATE NO. SS-MH-7).

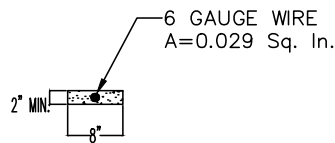
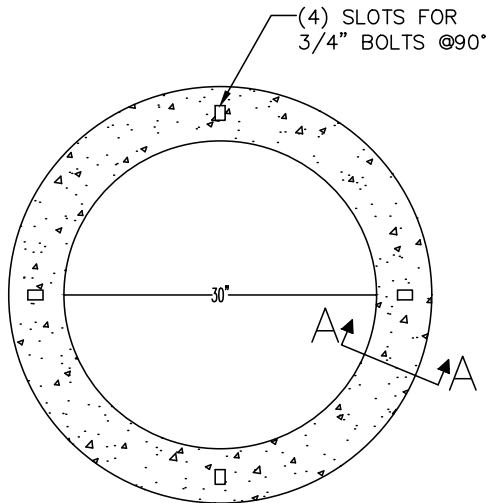
This detail is subject to revision. Verify with New Castle County, Public Works, for correctness prior to implementation.

CANAL

Contract is for various locations throughout New Castle County.

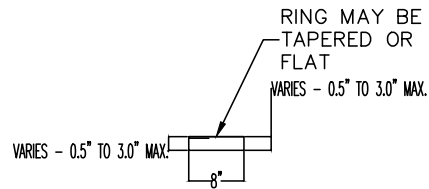
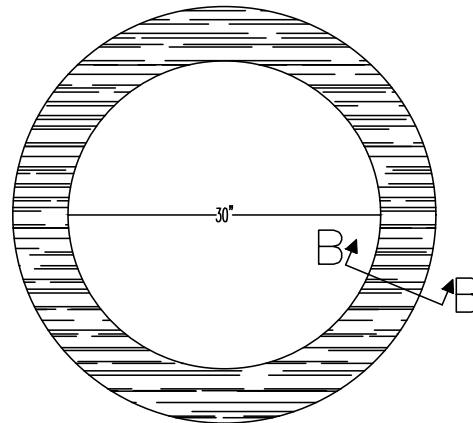
DETAILS SHEET

GRADE RING DETAIL (NTS)



CROSS-SECTION A-A

REINFORCED CONCRETE
GRADE RING



CROSS-SECTION B-B

RUBBER ADJUSTMENT
GRADE RING

NOTES:

1. DESIGN MEETS REQUIREMENTS OF A.S.T.M. STANDARD C-478.
2. APPROXIMATE WEIGHT OF ONE REINFORCED CONCRETE GRADE RING:
24"φ - 140 lbs.
30"φ - 165 lbs.

NOTES:

1. SEAL EACH JOINT BETWEEN FRAME, RUBBER GRADE RING AND PRECAST GRADE RINGS USING ADHESIVE SEALANT CONFORMING TO ASTM D3498 AND SUITABLE FOR USE WITH MASONRY, RUBBER AND METAL MATERIALS. APPLY IN CONTINUOUS 1/2 INCH BEADS.
2. UNDER NO CIRCUMSTANCE SHALL A RUBBER GRADE RING BE MODIFIED OR ALTERED IN LIEU OF USING THE APPROPRIATE TAPERED GRADE RING.

DELAWARE DEPARTMENT OF TRANSPORTATION

CONTRACT T202604905

(CAD) PAGE 29 OF 68

CANAL

SUBDIVISION PAVING, NEW CASTLE COUNTY V, 2026

LOCATION 1 BELLEMOOR HEIGHTS - WINSTON PLACE FROM CHAMPLAIN AVENUE TO W. SUMMIT AVENUE

LENGTH 163.0680 m 535.0000 L.F.

GENERAL IMPROVEMENTS

2" MILL AND OVERLAY(CURB WHERE NECESSARY)

COMMENTS:

ESTIMATE INCLUDES INT. W/ W. SUMMIT

MATERIAL ESTIMATE FOR LOCATION 1

202000	EXCAVATION AND EMBANKMENT	8.00	C.Y.
211001	REMOVAL OF PORTLAND CEMENT CONCRETE PAVEMENT, CURB AND SIDEWALK	65.00	S.Y.
301001	GABC	5.00	C.Y.
301002	GABC, PATCHING	11.00	C.Y.
401005	SUPERPAVE TYPE C, 9.5 mm, PG 64-22 (CARBONATE STONE)	165.00	TON
401029	SUPERPAVE TYPE C, 9.5 mm, PG 64-22, PATCHING	37.00	TON
401030	SUPERPAVE TYPE B, PG 64-22, PATCHING	15.00	TON
404001	BITUMINOUS CRACK AND JOINT SEALING LESS THAN 3/4-INCH WIDE	204.00	L.F.
602102	MANHOLE COVER(S)	2.00	EACH
602103	MANHOLE FRAME(S)	2.00	EACH
602130	ADJUSTING AND REPAIRING EXISTING DRAINAGE INLET	1.00	EACH
602132	ADJUSTING AND REPAIRING EXISTING MANHOLE	5.00	EACH
701019	I.PCC CURB AND GUTTER, TYPE 2	180.00	L.F.
705002	PCC SIDEWALK, 6"	108.00	S.F.
705505	RESET STONE/BRICK SIDEWALK AND/OR STONE/BRICK ROADWAY	40.00	S.F.
710002	ADJUST WATER VALVE BOXES	2.00	EACH
710370	STEEL CASING PIPE, 4"	10.00	L.F.
760010	PAVEMENT MILLING, BITUMINOUS CONCRETE PAVEMENT	2,620.00	SY-IN
762000	SAW CUTTING, BITUMINOUS CONCRETE	270.00	L.F.
762001	SAW CUTTING, CONCRETE, FULL DEPTH	27.00	L.F.
811001	FLAGGER, NEW CASTLE COUNTY	120.00	HOUR
811013	FLAGGER, NEW CASTLE COUNTY, OVERTIME	16.00	HOUR
819003	INSTALL OR REMOVE TRAFFIC SIGNS	1.00	EACH
905004	INLET SEDIMENT CONTROL, DRAINAGE INLET	2.00	EACH
908001	TOPSOIL	7.00	TON

DELAWARE DEPARTMENT OF TRANSPORTATION

CONTRACT T202604905

(CAD) PAGE 30 OF 68

CANAL

SUBDIVISION PAVING, NEW CASTLE COUNTY V, 2026

LOCATION 1 BELLEMOOR HEIGHTS - WINSTON PLACE FROM CHAMPLAIN AVENUE TO
W. SUMMIT AVENUE

LENGTH 163.0680 m 535.0000 L.F.

GENERAL IMPROVEMENTS

2" MILL AND OVERLAY(CURB WHERE NECESSARY)

COMMENTS:

ESTIMATE INCLUDES INT. W/ W. SUMMIT

MATERIAL ESTIMATE FOR LOCATION 1

908016	PERMANENT GRASS SEEDING, SUBDIVISION	43.00	S.Y.
908020	EROSION CONTROL BLANKET MULCH	43.00	S.Y.

DELAWARE DEPARTMENT OF TRANSPORTATION

CONTRACT T202604905

(CAD) PAGE 31 OF 68

CANAL

SUBDIVISION PAVING, NEW CASTLE COUNTY V, 2026

LOCATION 2 BROOKLAND TERRACE - ARMSTRONG AVENUE FROM BROOKLAND AVENUE TO FAULKLAND ROAD

LENGTH 640.0800 m 2100.0000 L.F.

GENERAL IMPROVEMENTS

2" MILL AND OVERLAY(CURB WHERE NECESSARY)

COMMENTS:

ESTIMATE DOES NOT INCLUDE INTERSECTION RECENTLY PAVED (MARYLAND & MAINE)

MATERIAL ESTIMATE FOR LOCATION 2

202000	EXCAVATION AND EMBANKMENT	50.00	C.Y.
211001	REMOVAL OF PORTLAND CEMENT CONCRETE PAVEMENT, CURB AND SIDEWALK	421.00	S.Y.
301001	GABC	29.00	C.Y.
301002	GABC, PATCHING	70.00	C.Y.
401005	SUPERPAVE TYPE C, 9.5 mm, PG 64-22 (CARBONATE STONE)	680.00	TON
401029	SUPERPAVE TYPE C, 9.5 mm, PG 64-22, PATCHING	235.00	TON
401030	SUPERPAVE TYPE B, PG 64-22, PATCHING	75.00	TON
401506	SPEED HUMP	110.00	L.F.
404001	BITUMINOUS CRACK AND JOINT SEALING LESS THAN 3/4-INCH WIDE	750.00	L.F.
602102	MANHOLE COVER(S)	1.00	EACH
602103	MANHOLE FRAME(S)	1.00	EACH
602130	ADJUSTING AND REPAIRING EXISTING DRAINAGE INLET	2.00	EACH
602132	ADJUSTING AND REPAIRING EXISTING MANHOLE	8.00	EACH
701019	I.PCC CURB AND GUTTER, TYPE 2	1,170.00	L.F.
705002	PCC SIDEWALK, 6"	702.00	S.F.
710002	ADJUST WATER VALVE BOXES	4.00	EACH
710370	STEEL CASING PIPE, 4"	20.00	L.F.
760010	PAVEMENT MILLING, BITUMINOUS CONCRETE PAVEMENT	10,860.00	SY-IN
762000	SAW CUTTING, BITUMINOUS CONCRETE	1,755.00	L.F.
762001	SAW CUTTING, CONCRETE, FULL DEPTH	176.00	L.F.
802003	ARROW PANELS TYPE C	3.00	EA-DY
808002	PROVIDE AND MAINTAIN TRUCK MOUNTED ATTENUATOR, TYPE II	3.00	EA-DY
811001	FLAGGER, NEW CASTLE COUNTY	543.00	HOURLY
811013	FLAGGER, NEW CASTLE COUNTY, OVERTIME	58.00	HOURLY
905004	INLET SEDIMENT CONTROL, DRAINAGE INLET	2.00	EACH

DELAWARE DEPARTMENT OF TRANSPORTATION

CONTRACT T202604905

(CAD) PAGE 32 OF 68

CANAL

SUBDIVISION PAVING, NEW CASTLE COUNTY V, 2026

LOCATION 2 **BROOKLAND TERRACE - ARMSTRONG AVENUE FROM BROOKLAND AVENUE TO FAULKLAND ROAD**

LENGTH 640.0800 m 2100.0000 L.F.

GENERAL IMPROVEMENTS

2" MILL AND OVERLAY(CURB WHERE NECESSARY)

COMMENTS:

ESTIMATE DOES NOT INCLUDE INTERSECTION RECENTLY PAVED (MARYLAND & MAINE)

MATERIAL ESTIMATE FOR LOCATION 2

908001	TOPSOIL	47.00	TON
908016	PERMANENT GRASS SEEDING, SUBDIVISION	281.00	S.Y.
908020	EROSION CONTROL BLANKET MULCH	281.00	S.Y.

DELAWARE DEPARTMENT OF TRANSPORTATION

CONTRACT T202604905

(CAD) PAGE 33 OF 68

CANAL

SUBDIVISION PAVING, NEW CASTLE COUNTY V, 2026

LOCATION 3 BROOKLAND TERRACE - RHODE ISLAND AVENUE FROM CENTERVILLE ROAD TO HILLSIDE AVENUE @ CHANGE IN HOTMIX

LENGTH 213.3600 m 700.0000 L.F.

GENERAL IMPROVEMENTS

2" MILL AND OVERLAY(CURB WHERE NECESSARY)

COMMENTS:

1 RAMP @ CENTERVILLE ROAD

MATERIAL ESTIMATE FOR LOCATION 3

202000	EXCAVATION AND EMBANKMENT	6.00	C.Y.
211001	REMOVAL OF PORTLAND CEMENT CONCRETE PAVEMENT, CURB AND SIDEWALK	40.00	S.Y.
301001	GABC	3.00	C.Y.
301002	GABC, PATCHING	7.00	C.Y.
401005	SUPERPAVE TYPE C, 9.5 mm, PG 64-22 (CARBONATE STONE)	215.00	TON
401029	SUPERPAVE TYPE C, 9.5 mm, PG 64-22, PATCHING	23.00	TON
401030	SUPERPAVE TYPE B, PG 64-22, PATCHING	15.00	TON
404001	BITUMINOUS CRACK AND JOINT SEALING LESS THAN 3/4-INCH WIDE	215.00	L.F.
602102	MANHOLE COVER(S)	1.00	EACH
602103	MANHOLE FRAME(S)	1.00	EACH
602130	ADJUSTING AND REPAIRING EXISTING DRAINAGE INLET	1.00	EACH
602132	ADJUSTING AND REPAIRING EXISTING MANHOLE	3.00	EACH
701019	I.PCC CURB AND GUTTER, TYPE 2	110.00	L.F.
705002	PCC SIDEWALK, 6"	66.00	S.F.
710002	ADJUST WATER VALVE BOXES	4.00	EACH
760010	PAVEMENT MILLING, BITUMINOUS CONCRETE PAVEMENT	3,440.00	SY-IN
762000	SAW CUTTING, BITUMINOUS CONCRETE	165.00	L.F.
762001	SAW CUTTING, CONCRETE, FULL DEPTH	17.00	L.F.
802003	ARROW PANELS TYPE C	3.00	EA-DY
808002	PROVIDE AND MAINTAIN TRUCK MOUNTED ATTENUATOR, TYPE II	3.00	EA-DY
811001	FLAGGER, NEW CASTLE COUNTY	124.00	HOUR
811013	FLAGGER, NEW CASTLE COUNTY, OVERTIME	14.00	HOUR
860007	TEMPORARY PAVEMENT STRIPING, LATEX, SYMBOL/LEGEND	160.00	S.F.
862006	PERMANENT PAVEMENT STRIPING, ALKYD-THERMOPLASTIC, SYMBOL/LEGEND	160.00	S.F.
905004	INLET SEDIMENT CONTROL, DRAINAGE INLET	1.00	EACH

DELAWARE DEPARTMENT OF TRANSPORTATION

CONTRACT T202604905

(CAD) PAGE 34 OF 68

CANAL

SUBDIVISION PAVING, NEW CASTLE COUNTY V, 2026

LOCATION 3 **BROOKLAND TERRACE - RHODE ISLAND AVENUE FROM CENTERVILLE ROAD TO HILLSIDE AVENUE @ CHANGE IN HOTMIX**

LENGTH 213.3600 m 700.0000 L.F.

GENERAL IMPROVEMENTS

2" MILL AND OVERLAY(CURB WHERE NECESSARY)

COMMENTS:

1 RAMP @ CENTERVILLE ROAD

MATERIAL ESTIMATE FOR LOCATION 3

908001	TOPSOIL	4.00	TON
908016	PERMANENT GRASS SEEDING, SUBDIVISION	26.00	S.Y.
908020	EROSION CONTROL BLANKET MULCH	26.00	S.Y.

DELAWARE DEPARTMENT OF TRANSPORTATION

CONTRACT T202604905

(CAD) PAGE 35 OF 68

CANAL

SUBDIVISION PAVING, NEW CASTLE COUNTY V, 2026

LOCATION 4 **BROOKLAND TERRACE - VERMONT AVENUE FROM CENTERVILLE ROAD TO HILLSIDE AVENUE**

LENGTH 216.4080 m 710.0000 L.F.

GENERAL IMPROVEMENTS

2" MILL AND OVERLAY(CURB WHERE NECESSARY)

COMMENTS:

2 RAMPS @ ARMSTRON

MATERIAL ESTIMATE FOR LOCATION 4

202000	EXCAVATION AND EMBANKMENT	16.00	C.Y.
211001	REMOVAL OF PORTLAND CEMENT CONCRETE PAVEMENT, CURB AND SIDEWALK	113.00	S.Y.
301001	GABC	10.00	C.Y.
301002	GABC, PATCHING	20.00	C.Y.
401005	SUPERPAVE TYPE C, 9.5 mm, PG 64-22 (CARBONATE STONE)	260.00	TON
401029	SUPERPAVE TYPE C, 9.5 mm, PG 64-22, PATCHING	66.00	TON
401030	SUPERPAVE TYPE B, PG 64-22, PATCHING	25.00	TON
401506	SPEED HUMP	22.00	L.F.
404001	BITUMINOUS CRACK AND JOINT SEALING LESS THAN 3/4-INCH WIDE	300.00	L.F.
602130	ADJUSTING AND REPAIRING EXISTING DRAINAGE INLET	3.00	EACH
602132	ADJUSTING AND REPAIRING EXISTING MANHOLE	3.00	EACH
701013	PCC CURB, TYPE 1-8	23.00	L.F.
701019	I.PCC CURB AND GUTTER, TYPE 2	300.00	L.F.
705001	PCC SIDEWALK, 4"	100.00	S.F.
705002	PCC SIDEWALK, 6"	180.00	S.F.
705008	PEDESTRIAN CONNECTION, TYPE 1	40.00	S.F.
705009	PEDESTRIAN CONNECTION, TYPE 2, 3, AND/OR 4	400.00	S.F.
705013	TRUNCATED DOME DETECTABLE WARNING SURFACE	20.00	S.F.
710002	ADJUST WATER VALVE BOXES	4.00	EACH
710370	STEEL CASING PIPE, 4"	20.00	L.F.
760010	PAVEMENT MILLING, BITUMINOUS CONCRETE PAVEMENT	4,070.00	SY-IN
762000	SAW CUTTING, BITUMINOUS CONCRETE	480.00	L.F.
762001	SAW CUTTING, CONCRETE, FULL DEPTH	49.00	L.F.
802003	ARROW PANELS TYPE C	3.00	EA-DY
808002	PROVIDE AND MAINTAIN TRUCK MOUNTED ATTENUATOR, TYPE II	3.00	EA-DY

DELAWARE DEPARTMENT OF TRANSPORTATION

CONTRACT T202604905

(CAD) PAGE 36 OF 68

CANAL

SUBDIVISION PAVING, NEW CASTLE COUNTY V, 2026

LOCATION 4 **BROOKLAND TERRACE - VERMONT AVENUE FROM CENTERVILLE ROAD
TO HILLSIDE AVENUE**

LENGTH 216.4080 m 710.0000 L.F.

GENERAL IMPROVEMENTS

2" MILL AND OVERLAY(CURB WHERE NECESSARY)

COMMENTS:

2 RAMPS @ ARMSTRON

MATERIAL ESTIMATE FOR LOCATION 4

811001	FLAGGER, NEW CASTLE COUNTY	213.00	HOUR
811013	FLAGGER, NEW CASTLE COUNTY, OVERTIME	25.00	HOUR
860007	TEMPORARY PAVEMENT STRIPING, LATEX, SYMBOL/LEGEND	33.00	S.F.
862006	PERMANENT PAVEMENT STRIPING, ALKYD-THERMOPLASTIC, SYMBOL/LEGEND	33.00	S.F.
905004	INLET SEDIMENT CONTROL, DRAINAGE INLET	4.00	EACH
908001	TOPSOIL	21.00	TON
908016	PERMANENT GRASS SEEDING, SUBDIVISION	125.00	S.Y.
908020	EROSION CONTROL BLANKET MULCH	125.00	S.Y.

DELAWARE DEPARTMENT OF TRANSPORTATION

CONTRACT T202604905

(CAD) PAGE 37 OF 68

CANAL

SUBDIVISION PAVING, NEW CASTLE COUNTY V, 2026

LOCATION 5 CAPITOL TRAIL FARM - CENTER CIRCLE FROM LORRAIN AVENUE TO END

LENGTH 121.9200 m 400.0000 L.F.

GENERAL IMPROVEMENTS

2" MILL AND OVERLAY(CURB WHERE NECESSARY)

COMMENTS:

2 RAMPS @ LORRAIN

MATERIAL ESTIMATE FOR LOCATION 5

202000	EXCAVATION AND EMBANKMENT	11.00	C.Y.
211001	REMOVAL OF PORTLAND CEMENT CONCRETE PAVEMENT, CURB AND SIDEWALK	102.00	S.Y.
301001	GABC	8.00	C.Y.
301002	GABC, PATCHING	18.00	C.Y.
401005	SUPERPAVE TYPE C, 9.5 mm, PG 64-22 (CARBONATE STONE)	180.00	TON
401029	SUPERPAVE TYPE C, 9.5 mm, PG 64-22, PATCHING	58.00	TON
401030	SUPERPAVE TYPE B, PG 64-22, PATCHING	10.00	TON
404001	BITUMINOUS CRACK AND JOINT SEALING LESS THAN 3/4-INCH WIDE	120.00	L.F.
602130	ADJUSTING AND REPAIRING EXISTING DRAINAGE INLET	2.00	EACH
602132	ADJUSTING AND REPAIRING EXISTING MANHOLE	2.00	EACH
701013	PCC CURB, TYPE 1-8	3.00	L.F.
701019	I.PCC CURB AND GUTTER, TYPE 2	280.00	L.F.
705001	PCC SIDEWALK, 4"	100.00	S.F.
705002	PCC SIDEWALK, 6"	168.00	S.F.
705008	PEDESTRIAN CONNECTION, TYPE 1	40.00	S.F.
705009	PEDESTRIAN CONNECTION, TYPE 2, 3, AND/OR 4	400.00	S.F.
705013	TRUNCATED DOME DETECTABLE WARNING SURFACE	20.00	S.F.
710370	STEEL CASING PIPE, 4"	45.00	L.F.
760010	PAVEMENT MILLING, BITUMINOUS CONCRETE PAVEMENT	1,800.00	SY-IN
760011	PAVEMENT MILLING, BITUMINOUS CONCRETE PAVEMENT, TAPER CUT	420.00	SY-IN
762000	SAW CUTTING, BITUMINOUS CONCRETE	420.00	L.F.
762001	SAW CUTTING, CONCRETE, FULL DEPTH	42.00	L.F.
811001	FLAGGER, NEW CASTLE COUNTY	137.00	HOUR
811013	FLAGGER, NEW CASTLE COUNTY, OVERTIME	17.00	HOUR
905004	INLET SEDIMENT CONTROL, DRAINAGE INLET	2.00	EACH
908001	TOPSOIL	19.00	TON

DELAWARE DEPARTMENT OF TRANSPORTATION

CONTRACT T202604905

(CAD) PAGE 38 OF 68

CANAL

SUBDIVISION PAVING, NEW CASTLE COUNTY V, 2026

LOCATION 5 **CAPITOL TRAIL FARM - CENTER CIRCLE FROM LORRAIN AVENUE TO END**

LENGTH 121.9200 m 400.0000 L.F.

GENERAL IMPROVEMENTS

2" MILL AND OVERLAY(CURB WHERE NECESSARY)

COMMENTS:

2 RAMPS @ LORRAIN

MATERIAL ESTIMATE FOR LOCATION 5

908016	PERMANENT GRASS SEEDING, SUBDIVISION	115.00	S.Y.
908020	EROSION CONTROL BLANKET MULCH	115.00	S.Y.

DELAWARE DEPARTMENT OF TRANSPORTATION

CONTRACT T202604905

(CAD) PAGE 39 OF 68

CANAL

SUBDIVISION PAVING, NEW CASTLE COUNTY V, 2026

LOCATION 6 CHELSEA ESTATES - GAINOR ROAD FROM TALBOT DRIVE TO LOUISE ROAD

LENGTH 152.4000 m 500.0000 L.F.

GENERAL IMPROVEMENTS

2" MILL AND OVERLAY(CURB WHERE NECESSARY)

COMMENTS:

2 RAMPS @ TALBOT; 4 RAMPS @ RITA

MATERIAL ESTIMATE FOR LOCATION 6

202000	EXCAVATION AND EMBANKMENT	11.00	C.Y.
211001	REMOVAL OF PORTLAND CEMENT CONCRETE PAVEMENT, CURB AND SIDEWALK	91.00	S.Y.
301001	GABC	7.00	C.Y.
301002	GABC, PATCHING	16.00	C.Y.
401005	SUPERPAVE TYPE C, 9.5 mm, PG 64-22 (CARBONATE STONE)	195.00	TON
401029	SUPERPAVE TYPE C, 9.5 mm, PG 64-22, PATCHING	52.00	TON
401030	SUPERPAVE TYPE B, PG 64-22, PATCHING	15.00	TON
404001	BITUMINOUS CRACK AND JOINT SEALING LESS THAN 3/4-INCH WIDE	116.00	L.F.
602130	ADJUSTING AND REPAIRING EXISTING DRAINAGE INLET	2.00	EACH
602131	ADJUSTING AND REPAIRING EXISTING DOUBLE DRAINAGE INLET	1.00	EACH
602132	ADJUSTING AND REPAIRING EXISTING MANHOLE	1.00	EACH
701013	PCC CURB, TYPE 1-8	9.00	L.F.
701019	I.PCC CURB AND GUTTER, TYPE 2	250.00	L.F.
705001	PCC SIDEWALK, 4"	300.00	S.F.
705002	PCC SIDEWALK, 6"	150.00	S.F.
705008	PEDESTRIAN CONNECTION, TYPE 1	120.00	S.F.
705009	PEDESTRIAN CONNECTION, TYPE 2, 3, AND/OR 4	1,200.00	S.F.
705013	TRUNCATED DOME DETECTABLE WARNING SURFACE	60.00	S.F.
760010	PAVEMENT MILLING, BITUMINOUS CONCRETE PAVEMENT	3,080.00	SY-IN
762000	SAW CUTTING, BITUMINOUS CONCRETE	375.00	L.F.
762001	SAW CUTTING, CONCRETE, FULL DEPTH	38.00	L.F.
811001	FLAGGER, NEW CASTLE COUNTY	181.00	HOUR
811013	FLAGGER, NEW CASTLE COUNTY, OVERTIME	20.00	HOUR
905004	INLET SEDIMENT CONTROL, DRAINAGE INLET	4.00	EACH
908001	TOPSOIL	34.00	TON

DELAWARE DEPARTMENT OF TRANSPORTATION

CONTRACT T202604905

(CAD) PAGE 40 OF 68

CANAL

SUBDIVISION PAVING, NEW CASTLE COUNTY V, 2026

LOCATION 6 CHELSEA ESTATES - GAINOR ROAD FROM TALBOT DRIVE TO LOUISE ROAD

LENGTH 152.4000 m 500.0000 L.F.

GENERAL IMPROVEMENTS

2" MILL AND OVERLAY(CURB WHERE NECESSARY)

COMMENTS:

2 RAMPS @ TALBOT; 4 RAMPS @ RITA

MATERIAL ESTIMATE FOR LOCATION 6

908016	PERMANENT GRASS SEEDING, SUBDIVISION	204.00	S.Y.
908020	EROSION CONTROL BLANKET MULCH	204.00	S.Y.

DELAWARE DEPARTMENT OF TRANSPORTATION

CONTRACT T202604905

(CAD) PAGE 41 OF 68

CANAL

SUBDIVISION PAVING, NEW CASTLE COUNTY V, 2026

**LOCATION 7 CLEARVIEW MANOR - EAST FERN DRIVE FROM DUPONT PARKWAY @
CHANGE IN HOTMIX TO NEW CASTLE COUNTY PUBLIC SAFETY ENTRANCE**

LENGTH 163.0680 m 535.0000 L.F.

GENERAL IMPROVEMENTS

2" MILL AND OVERLAY(CURB WHERE NECESSARY)

COMMENTS:

2 RAMPS @ FERNWOOD; 2 RAMPS @ LITTLEWORTH

MATERIAL ESTIMATE FOR LOCATION 7

202000	EXCAVATION AND EMBANKMENT	9.00	C.Y.
211001	REMOVAL OF PORTLAND CEMENT CONCRETE PAVEMENT, CURB AND SIDEWALK	23.00	S.Y.
301001	GABC	3.00	C.Y.
301002	GABC, PATCHING	3.00	C.Y.
401005	SUPERPAVE TYPE C, 9.5 mm, PG 64-22 (CARBONATE STONE)	390.00	TON
401029	SUPERPAVE TYPE C, 9.5 mm, PG 64-22, PATCHING	10.00	TON
401030	SUPERPAVE TYPE B, PG 64-22, PATCHING	25.00	TON
404001	BITUMINOUS CRACK AND JOINT SEALING LESS THAN 3/4-INCH WIDE	200.00	L.F.
602132	ADJUSTING AND REPAIRING EXISTING MANHOLE	1.00	EACH
701013	PCC CURB, TYPE 1-8	6.00	L.F.
701014	PCC CURB, TYPE 2	30.00	L.F.
701018	I.PCC CURB AND GUTTER, TYPE 1-8	30.00	L.F.
705001	PCC SIDEWALK, 4"	200.00	S.F.
705002	PCC SIDEWALK, 6"	18.00	S.F.
705008	PEDESTRIAN CONNECTION, TYPE 1	80.00	S.F.
705009	PEDESTRIAN CONNECTION, TYPE 2, 3, AND/OR 4	800.00	S.F.
705013	TRUNCATED DOME DETECTABLE WARNING SURFACE	40.00	S.F.
760010	PAVEMENT MILLING, BITUMINOUS CONCRETE PAVEMENT	6,240.00	SY-IN
762000	SAW CUTTING, BITUMINOUS CONCRETE	90.00	L.F.
762001	SAW CUTTING, CONCRETE, FULL DEPTH	9.00	L.F.
802003	ARROW PANELS TYPE C	3.00	EA-DY
808002	PROVIDE AND MAINTAIN TRUCK MOUNTED ATTENUATOR, TYPE II	3.00	EA-DY
811001	FLAGGER, NEW CASTLE COUNTY	180.00	HOUR
811013	FLAGGER, NEW CASTLE COUNTY, OVERTIME	21.00	HOUR
860004	TEMPORARY MARKINGS, LATEX, 4"	66.00	L.F.

DELAWARE DEPARTMENT OF TRANSPORTATION

CONTRACT T202604905

(CAD) PAGE 42 OF 68

CANAL

SUBDIVISION PAVING, NEW CASTLE COUNTY V, 2026

LOCATION 7 CLEARVIEW MANOR - EAST FERN DRIVE FROM DUPONT PARKWAY @
CHANGE IN HOTMIX TO NEW CASTLE COUNTY PUBLIC SAFETY ENTRANCE

LENGTH 163.0680 m 535.0000 L.F.

GENERAL IMPROVEMENTS

2" MILL AND OVERLAY(CURB WHERE NECESSARY)

COMMENTS:

2 RAMPS @ FERNWOOD; 2 RAMPS @ LITTLEWORTH

MATERIAL ESTIMATE FOR LOCATION 7

860007	TEMPORARY PAVEMENT STRIPING, LATEX, SYMBOL/LEGEND	110.00	S.F.
861001	PERMANENT PAVEMENT STRIPING, EPOXY RESIN PAINT, 6"	66.00	L.F.
862006	PERMANENT PAVEMENT STRIPING, ALKYD-THERMOPLASTIC, SYMBOL/LEGEND	110.00	S.F.
908001	TOPSOIL	18.00	TON
908016	PERMANENT GRASS SEEDING, SUBDIVISION	110.00	S.Y.
908020	EROSION CONTROL BLANKET MULCH	110.00	S.Y.

DELAWARE DEPARTMENT OF TRANSPORTATION

CONTRACT T202604905

(CAD) PAGE 43 OF 68

CANAL

SUBDIVISION PAVING, NEW CASTLE COUNTY V, 2026

LOCATION 8 CLEARVIEW MANOR - LITTLEWORTH AVENUE FROM EAST FERN DRIVE
TO END

LENGTH 146.3040 m 480.0000 L.F.

GENERAL IMPROVEMENTS

2" MILL AND OVERLAY(CURB WHERE NECESSARY)

COMMENTS:

DO NOT REPLACE DOUBLE YELLOW

MATERIAL ESTIMATE FOR LOCATION 8

202000	EXCAVATION AND EMBANKMENT	3.00	C.Y.
211001	REMOVAL OF PORTLAND CEMENT CONCRETE PAVEMENT, CURB AND SIDEWALK	11.00	S.Y.
301001	GABC	1.00	C.Y.
301002	GABC, PATCHING	2.00	C.Y.
401005	SUPERPAVE TYPE C, 9.5 mm, PG 64-22 (CARBONATE STONE)	135.00	TON
401029	SUPERPAVE TYPE C, 9.5 mm, PG 64-22, PATCHING	7.00	TON
401030	SUPERPAVE TYPE B, PG 64-22, PATCHING	10.00	TON
404001	BITUMINOUS CRACK AND JOINT SEALING LESS THAN 3/4-INCH WIDE	75.00	L.F.
602132	ADJUSTING AND REPAIRING EXISTING MANHOLE	2.00	EACH
701019	I.PCC CURB AND GUTTER, TYPE 2	30.00	L.F.
705002	PCC SIDEWALK, 6"	18.00	S.F.
760010	PAVEMENT MILLING, BITUMINOUS CONCRETE PAVEMENT	2,140.00	SY-IN
762000	SAW CUTTING, BITUMINOUS CONCRETE	75.00	L.F.
762001	SAW CUTTING, CONCRETE, FULL DEPTH	5.00	L.F.
811001	FLAGGER, NEW CASTLE COUNTY	57.00	HOUR
811013	FLAGGER, NEW CASTLE COUNTY, OVERTIME	8.00	HOUR
908001	TOPSOIL	1.00	TON
908016	PERMANENT GRASS SEEDING, SUBDIVISION	7.00	S.Y.
908020	EROSION CONTROL BLANKET MULCH	7.00	S.Y.

DELAWARE DEPARTMENT OF TRANSPORTATION

CONTRACT T202604905

(CAD) PAGE 44 OF 68

CANAL

SUBDIVISION PAVING, NEW CASTLE COUNTY V, 2026

LOCATION 9 EASTBURN HEIGHTS - EASTBURN AVENUE FROM ORCHARD AVENUE TO
OLD CAPITOL TRAIL

LENGTH 60.9600 m 200.0000 L.F.

GENERAL IMPROVEMENTS
2" MILL AND OVERLAY

COMMENTS:

MATERIAL ESTIMATE FOR LOCATION 9

202000	EXCAVATION AND EMBANKMENT	1.00	C.Y.
401005	SUPERPAVE TYPE C, 9.5 mm, PG 64-22 (CARBONATE STONE)	40.00	TON
401029	SUPERPAVE TYPE C, 9.5 mm, PG 64-22, PATCHING	1.00	TON
401030	SUPERPAVE TYPE B, PG 64-22, PATCHING	5.00	TON
404001	BITUMINOUS CRACK AND JOINT SEALING LESS THAN 3/4-INCH WIDE	150.00	L.F.
602132	ADJUSTING AND REPAIRING EXISTING MANHOLE	1.00	EACH
760010	PAVEMENT MILLING, BITUMINOUS CONCRETE PAVEMENT	640.00	SY-IN
802003	ARROW PANELS TYPE C	2.00	EA-DY
808002	PROVIDE AND MAINTAIN TRUCK MOUNTED ATTENUATOR, TYPE II	2.00	EA-DY
811001	FLAGGER, NEW CASTLE COUNTY	16.00	HOUR
811013	FLAGGER, NEW CASTLE COUNTY, OVERTIME	4.00	HOUR

DELAWARE DEPARTMENT OF TRANSPORTATION

CONTRACT T202604905

(CAD) PAGE 45 OF 68

CANAL

SUBDIVISION PAVING, NEW CASTLE COUNTY V, 2026

LOCATION 10 EASTBURN HEIGHTS - ORCHARD AVENUE FROM DELAWARE PARK DRIVE TO END

LENGTH 112.7760 m 370.0000 L.F.

GENERAL IMPROVEMENTS

2" MILL AND OVERLAY(CURB WHERE NECESSARY)

COMMENTS:

2 RAMPS @ DELAWARE PARK

MATERIAL ESTIMATE FOR LOCATION 10

202000	EXCAVATION AND EMBANKMENT	3.00	C.Y.
211001	REMOVAL OF PORTLAND CEMENT CONCRETE PAVEMENT, CURB AND SIDEWALK	1.00	S.Y.
301001	GABC	1.00	C.Y.
301002	GABC, PATCHING	1.00	C.Y.
401005	SUPERPAVE TYPE C, 9.5 mm, PG 64-22 (CARBONATE STONE)	120.00	TON
401029	SUPERPAVE TYPE C, 9.5 mm, PG 64-22, PATCHING	2.00	TON
401030	SUPERPAVE TYPE B, PG 64-22, PATCHING	10.00	TON
404001	BITUMINOUS CRACK AND JOINT SEALING LESS THAN 3/4-INCH WIDE	200.00	L.F.
602132	ADJUSTING AND REPAIRING EXISTING MANHOLE	2.00	EACH
701013	PCC CURB, TYPE 1-8	3.00	L.F.
705001	PCC SIDEWALK, 4"	100.00	S.F.
705008	PEDESTRIAN CONNECTION, TYPE 1	40.00	S.F.
705009	PEDESTRIAN CONNECTION, TYPE 2, 3, AND/OR 4	400.00	S.F.
705013	TRUNCATED DOME DETECTABLE WARNING SURFACE	20.00	S.F.
710002	ADJUST WATER VALVE BOXES	2.00	EACH
760010	PAVEMENT MILLING, BITUMINOUS CONCRETE PAVEMENT	1,860.00	SY-IN
802003	ARROW PANELS TYPE C	2.00	EA-DY
808002	PROVIDE AND MAINTAIN TRUCK MOUNTED ATTENUATOR, TYPE II	2.00	EA-DY
811001	FLAGGER, NEW CASTLE COUNTY	66.00	HOUR
811013	FLAGGER, NEW CASTLE COUNTY, OVERTIME	9.00	HOUR
908001	TOPSOIL	8.00	TON
908016	PERMANENT GRASS SEEDING, SUBDIVISION	48.00	S.Y.
908020	EROSION CONTROL BLANKET MULCH	48.00	S.Y.

DELAWARE DEPARTMENT OF TRANSPORTATION

CONTRACT T202604905

(CAD) PAGE 46 OF 68

CANAL

SUBDIVISION PAVING, NEW CASTLE COUNTY V, 2026

LOCATION 11 FAULKLAND HEIGHTS - NEWELL DRIVE FROM ELDER DRIVE TO ALISTER DRIVE (NEAR HOUSE #2714)

LENGTH 571.5000 m 1875.0000 L.F.

GENERAL IMPROVEMENTS

2" MILL AND OVERLAY(CURB WHERE NECESSARY)

COMMENTS:

4 RAMPS @ BAXTER; 4 RAMPS @ DEAN

MATERIAL ESTIMATE FOR LOCATION 11

202000	EXCAVATION AND EMBANKMENT	38.00	C.Y.
211001	REMOVAL OF PORTLAND CEMENT CONCRETE PAVEMENT, CURB AND SIDEWALK	361.00	S.Y.
301001	GABC	26.00	C.Y.
301002	GABC, PATCHING	61.00	C.Y.
401005	SUPERPAVE TYPE C, 9.5 mm, PG 64-22 (CARBONATE STONE)	595.00	TON
401029	SUPERPAVE TYPE C, 9.5 mm, PG 64-22, PATCHING	202.00	TON
401030	SUPERPAVE TYPE B, PG 64-22, PATCHING	40.00	TON
401506	SPEED HUMP	44.00	L.F.
404001	BITUMINOUS CRACK AND JOINT SEALING LESS THAN 3/4-INCH WIDE	370.00	L.F.
602102	MANHOLE COVER(S)	2.00	EACH
602103	MANHOLE FRAME(S)	2.00	EACH
602130	ADJUSTING AND REPAIRING EXISTING DRAINAGE INLET	1.00	EACH
602131	ADJUSTING AND REPAIRING EXISTING DOUBLE DRAINAGE INLET	7.00	EACH
602132	ADJUSTING AND REPAIRING EXISTING MANHOLE	8.00	EACH
701013	PCC CURB, TYPE 1-8	12.00	L.F.
701019	I.PCC CURB AND GUTTER, TYPE 2	1,000.00	L.F.
705001	PCC SIDEWALK, 4"	400.00	S.F.
705002	PCC SIDEWALK, 6"	600.00	S.F.
705008	PEDESTRIAN CONNECTION, TYPE 1	160.00	S.F.
705009	PEDESTRIAN CONNECTION, TYPE 2, 3, AND/OR 4	1,600.00	S.F.
705013	TRUNCATED DOME DETECTABLE WARNING SURFACE	80.00	S.F.
760010	PAVEMENT MILLING, BITUMINOUS CONCRETE PAVEMENT	9,460.00	SY-IN
762000	SAW CUTTING, BITUMINOUS CONCRETE	1,500.00	L.F.
762001	SAW CUTTING, CONCRETE, FULL DEPTH	150.00	L.F.
811001	FLAGGER, NEW CASTLE COUNTY	546.00	HOUR

DELAWARE DEPARTMENT OF TRANSPORTATION

CONTRACT T202604905

(CAD) PAGE 47 OF 68

CANAL

SUBDIVISION PAVING, NEW CASTLE COUNTY V, 2026

LOCATION 11 FAULKLAND HEIGHTS - NEWELL DRIVE FROM ELDER DRIVE TO ALISTER DRIVE (NEAR HOUSE #2714)

LENGTH 571.5000 m 1875.0000 L.F.

GENERAL IMPROVEMENTS

2" MILL AND OVERLAY(CURB WHERE NECESSARY)

COMMENTS:

4 RAMPS @ BAXTER; 4 RAMPS @ DEAN

MATERIAL ESTIMATE FOR LOCATION 11

811013	FLAGGER, NEW CASTLE COUNTY, OVERTIME	57.00	HOUR
905004	INLET SEDIMENT CONTROL, DRAINAGE INLET	15.00	EACH
908001	TOPSOIL	72.00	TON
908016	PERMANENT GRASS SEEDING, SUBDIVISION	432.00	S.Y.
908020	EROSION CONTROL BLANKET MULCH	432.00	S.Y.

DELAWARE DEPARTMENT OF TRANSPORTATION

CONTRACT T202604905

(CAD) PAGE 48 OF 68

CANAL

SUBDIVISION PAVING, NEW CASTLE COUNTY V, 2026

LOCATION 12 GARFIELD PARK - BIZARRE DRIVE FROM CHESTERFIELD DRIVE TO MEMORIAL DRIVE

LENGTH 60.9600 m 200.0000 L.F.

GENERAL IMPROVEMENTS

2" MILL AND OVERLAY(CURB WHERE NECESSARY)

COMMENTS:

2 RAMPS @ CHESTERFIELD

MATERIAL ESTIMATE FOR LOCATION 12

202000	EXCAVATION AND EMBANKMENT	11.00	C.Y.
211001	REMOVAL OF PORTLAND CEMENT CONCRETE PAVEMENT, CURB AND SIDEWALK	121.00	S.Y.
301001	GABC	12.00	C.Y.
301002	GABC, PATCHING	17.00	C.Y.
401005	SUPERPAVE TYPE C, 9.5 mm, PG 64-22 (CARBONATE STONE)	65.00	TON
401029	SUPERPAVE TYPE C, 9.5 mm, PG 64-22, PATCHING	52.00	TON
401030	SUPERPAVE TYPE B, PG 64-22, PATCHING	15.00	TON
404001	BITUMINOUS CRACK AND JOINT SEALING LESS THAN 3/4-INCH WIDE	150.00	L.F.
701013	PCC CURB, TYPE 1-8	3.00	L.F.
701019	I.PCC CURB AND GUTTER, TYPE 2	200.00	L.F.
701513	PORTLAND CEMENT CONCRETE VALLEY GUTTER, 8"	48.00	S.Y.
705001	PCC SIDEWALK, 4"	100.00	S.F.
705002	PCC SIDEWALK, 6"	120.00	S.F.
705008	PEDESTRIAN CONNECTION, TYPE 1	40.00	S.F.
705009	PEDESTRIAN CONNECTION, TYPE 2, 3, AND/OR 4	400.00	S.F.
705013	TRUNCATED DOME DETECTABLE WARNING SURFACE	20.00	S.F.
760010	PAVEMENT MILLING, BITUMINOUS CONCRETE PAVEMENT	980.00	SY-IN
762000	SAW CUTTING, BITUMINOUS CONCRETE	444.00	L.F.
762001	SAW CUTTING, CONCRETE, FULL DEPTH	44.00	L.F.
802003	ARROW PANELS TYPE C	2.00	EA-DY
808002	PROVIDE AND MAINTAIN TRUCK MOUNTED ATTENUATOR, TYPE II	2.00	EA-DY
811001	FLAGGER, NEW CASTLE COUNTY	87.00	hour
811013	FLAGGER, NEW CASTLE COUNTY, OVERTIME	10.00	hour
908001	TOPSOIL	20.00	TON
908016	PERMANENT GRASS SEEDING, SUBDIVISION	119.00	S.Y.

DELAWARE DEPARTMENT OF TRANSPORTATION

CONTRACT T202604905

(CAD) PAGE 50 OF 68

CANAL

SUBDIVISION PAVING, NEW CASTLE COUNTY V, 2026

LOCATION 13 KIAMENSI GARDENS - BINSTAD AVENUE FROM NORRIS STREET TO DIAMOND STREET

LENGTH 210.3120 m 690.0000 L.F.

GENERAL IMPROVEMENTS

2" MILL AND OVERLAY(CURB WHERE NECESSARY)

COMMENTS:

2 RAMPS @ NORRIS; 2 RAMPS @ TRINITY; 2 RAMPS @ DIAMOND

MATERIAL ESTIMATE FOR LOCATION 13

202000	EXCAVATION AND EMBANKMENT	16.00	C.Y.
211001	REMOVAL OF PORTLAND CEMENT CONCRETE PAVEMENT, CURB AND SIDEWALK	152.00	S.Y.
301001	GABC	12.00	C.Y.
301002	GABC, PATCHING	26.00	C.Y.
401005	SUPERPAVE TYPE C, 9.5 mm, PG 64-22 (CARBONATE STONE)	230.00	TON
401029	SUPERPAVE TYPE C, 9.5 mm, PG 64-22, PATCHING	86.00	TON
401030	SUPERPAVE TYPE B, PG 64-22, PATCHING	15.00	TON
401506	SPEED HUMP	48.00	L.F.
404001	BITUMINOUS CRACK AND JOINT SEALING LESS THAN 3/4-INCH WIDE	360.00	L.F.
602132	ADJUSTING AND REPAIRING EXISTING MANHOLE	2.00	EACH
701013	PCC CURB, TYPE 1-8	9.00	L.F.
701019	I.PCC CURB AND GUTTER, TYPE 2	420.00	L.F.
705001	PCC SIDEWALK, 4"	300.00	S.F.
705002	PCC SIDEWALK, 6"	252.00	S.F.
705008	PEDESTRIAN CONNECTION, TYPE 1	120.00	S.F.
705009	PEDESTRIAN CONNECTION, TYPE 2, 3, AND/OR 4	1,200.00	S.F.
705013	TRUNCATED DOME DETECTABLE WARNING SURFACE	60.00	S.F.
760010	PAVEMENT MILLING, BITUMINOUS CONCRETE PAVEMENT	3,680.00	SY-IN
762000	SAW CUTTING, BITUMINOUS CONCRETE	630.00	L.F.
762001	SAW CUTTING, CONCRETE, FULL DEPTH	63.00	L.F.
811001	FLAGGER, NEW CASTLE COUNTY	228.00	HOUR
811013	FLAGGER, NEW CASTLE COUNTY, OVERTIME	25.00	HOUR
908001	TOPSOIL	41.00	TON
908016	PERMANENT GRASS SEEDING, SUBDIVISION	245.00	S.Y.
908020	EROSION CONTROL BLANKET MULCH	245.00	S.Y.

DELAWARE DEPARTMENT OF TRANSPORTATION

CONTRACT T202604905

(CAD) PAGE 51 OF 68

CANAL

SUBDIVISION PAVING, NEW CASTLE COUNTY V, 2026

LOCATION 14 KLAIR ESTATES - HARRIS PLACE FROM WEER CIRCLE TO END

LENGTH 237.7440 m 780.0000 L.F.

GENERAL IMPROVEMENTS

2" MILL AND OVERLAY(CURB WHERE NECESSARY)

COMMENTS:

MATERIAL ESTIMATE FOR LOCATION 14

202000	EXCAVATION AND EMBANKMENT	20.00	C.Y.
211001	REMOVAL OF PORTLAND CEMENT CONCRETE PAVEMENT, CURB AND SIDEWALK	220.00	S.Y.
301001	GABC	15.00	C.Y.
301002	GABC, PATCHING	37.00	C.Y.
401005	SUPERPAVE TYPE C, 9.5 mm, PG 64-22 (CARBONATE STONE)	295.00	TON
401029	SUPERPAVE TYPE C, 9.5 mm, PG 64-22, PATCHING	123.00	TON
401030	SUPERPAVE TYPE B, PG 64-22, PATCHING	15.00	TON
404001	BITUMINOUS CRACK AND JOINT SEALING LESS THAN 3/4-INCH WIDE	180.00	L.F.
602130	ADJUSTING AND REPAIRING EXISTING DRAINAGE INLET	3.00	EACH
602132	ADJUSTING AND REPAIRING EXISTING MANHOLE	4.00	EACH
701019	I.PCC CURB AND GUTTER, TYPE 2	610.00	L.F.
705002	PCC SIDEWALK, 6"	366.00	S.F.
760010	PAVEMENT MILLING, BITUMINOUS CONCRETE PAVEMENT	3,580.00	SY-IN
760011	PAVEMENT MILLING, BITUMINOUS CONCRETE PAVEMENT, TAPER CUT	480.00	SY-IN
762000	SAW CUTTING, BITUMINOUS CONCRETE	915.00	L.F.
762001	SAW CUTTING, CONCRETE, FULL DEPTH	92.00	L.F.
811001	FLAGGER, NEW CASTLE COUNTY	227.00	HOURLY
811013	FLAGGER, NEW CASTLE COUNTY, OVERTIME	25.00	HOURLY
905004	INLET SEDIMENT CONTROL, DRAINAGE INLET	3.00	EACH
908001	TOPSOIL	24.00	TON
908016	PERMANENT GRASS SEEDING, SUBDIVISION	146.00	S.Y.
908020	EROSION CONTROL BLANKET MULCH	146.00	S.Y.

DELAWARE DEPARTMENT OF TRANSPORTATION

CONTRACT T202604905

(CAD) PAGE 52 OF 68

CANAL

SUBDIVISION PAVING, NEW CASTLE COUNTY V, 2026

LOCATION 15 LEEDOM ESTATES - MORRISON AVENUE FROM TALBOT DRIVE TO HAZLETT AVENUE

LENGTH 175.2600 m 575.0000 L.F.

GENERAL IMPROVEMENTS

2" MILL AND OVERLAY(CURB WHERE NECESSARY)

COMMENTS:

ESTIMATE INCLUDES INTERSECTION W/ TALBOT - 6 RAMPS @ PENNEWELL

MATERIAL ESTIMATE FOR LOCATION 15

202000	EXCAVATION AND EMBANKMENT	17.00	C.Y.
211001	REMOVAL OF PORTLAND CEMENT CONCRETE PAVEMENT, CURB AND SIDEWALK	236.00	S.Y.
301001	GABC	22.00	C.Y.
301002	GABC, PATCHING	31.00	C.Y.
401005	SUPERPAVE TYPE C, 9.5 mm, PG 64-22 (CARBONATE STONE)	180.00	TON
401029	SUPERPAVE TYPE C, 9.5 mm, PG 64-22, PATCHING	98.00	TON
401030	SUPERPAVE TYPE B, PG 64-22, PATCHING	15.00	TON
404001	BITUMINOUS CRACK AND JOINT SEALING LESS THAN 3/4-INCH WIDE	305.00	L.F.
602130	ADJUSTING AND REPAIRING EXISTING DRAINAGE INLET	1.00	EACH
602132	ADJUSTING AND REPAIRING EXISTING MANHOLE	1.00	EACH
701019	I.PCC CURB AND GUTTER, TYPE 2	390.00	L.F.
701513	PORTLAND CEMENT CONCRETE VALLEY GUTTER, 8"	96.00	S.Y.
705002	PCC SIDEWALK, 6"	234.00	S.F.
760010	PAVEMENT MILLING, BITUMINOUS CONCRETE PAVEMENT	2,820.00	SY-IN
762000	SAW CUTTING, BITUMINOUS CONCRETE	873.00	L.F.
762001	SAW CUTTING, CONCRETE, FULL DEPTH	88.00	L.F.
811001	FLAGGER, NEW CASTLE COUNTY	165.00	HOURL
811013	FLAGGER, NEW CASTLE COUNTY, OVERTIME	18.00	HOURL
905004	INLET SEDIMENT CONTROL, DRAINAGE INLET	1.00	EACH
908001	TOPSOIL	24.00	TON
908016	PERMANENT GRASS SEEDING, SUBDIVISION	140.00	S.Y.
908020	EROSION CONTROL BLANKET MULCH	140.00	S.Y.

DELAWARE DEPARTMENT OF TRANSPORTATION

CONTRACT T202604905

(CAD) PAGE 53 OF 68

CANAL

SUBDIVISION PAVING, NEW CASTLE COUNTY V, 2026

LOCATION 16 **MARSHALLTON HEIGHTS 2 - DELAWARE STREET FROM OVERLOOK AVENUE TO END**

LENGTH 121.9200 m 400.0000 L.F.

GENERAL IMPROVEMENTS

2" MILL AND OVERLAY(CURB WHERE NECESSARY)

COMMENTS:

ESTIMATE INCLUDES BOTH INTERSECTIONS W/ OVERLOOK

MATERIAL ESTIMATE FOR LOCATION 16

202000	EXCAVATION AND EMBANKMENT	18.00	C.Y.
211001	REMOVAL OF PORTLAND CEMENT CONCRETE PAVEMENT, CURB AND SIDEWALK	205.00	S.Y.
301001	GABC	14.00	C.Y.
301002	GABC, PATCHING	34.00	C.Y.
401005	SUPERPAVE TYPE C, 9.5 mm, PG 64-22 (CARBONATE STONE)	130.00	TON
401029	SUPERPAVE TYPE C, 9.5 mm, PG 64-22, PATCHING	115.00	TON
401030	SUPERPAVE TYPE B, PG 64-22, PATCHING	10.00	TON
404001	BITUMINOUS CRACK AND JOINT SEALING LESS THAN 3/4-INCH WIDE	115.00	L.F.
701019	I.PCC CURB AND GUTTER, TYPE 2	570.00	L.F.
705002	PCC SIDEWALK, 6"	342.00	S.F.
760010	PAVEMENT MILLING, BITUMINOUS CONCRETE PAVEMENT	2,060.00	SY-IN
762000	SAW CUTTING, BITUMINOUS CONCRETE	855.00	L.F.
762001	SAW CUTTING, CONCRETE, FULL DEPTH	86.00	L.F.
811001	FLAGGER, NEW CASTLE COUNTY	135.00	HOUR
811013	FLAGGER, NEW CASTLE COUNTY, OVERTIME	14.00	HOUR
908001	TOPSOIL	23.00	TON
908016	PERMANENT GRASS SEEDING, SUBDIVISION	137.00	S.Y.
908020	EROSION CONTROL BLANKET MULCH	137.00	S.Y.

DELAWARE DEPARTMENT OF TRANSPORTATION

CONTRACT T202604905

(CAD) PAGE 54 OF 68

CANAL

SUBDIVISION PAVING, NEW CASTLE COUNTY V, 2026

LOCATION 17 MARSHALLTON HEIGHTS 2 - OVERLOOK AVENUE FROM DELAWARE STREET TO DELAWARE STREET

LENGTH 391.6680 m 1285.0000 L.F.

GENERAL IMPROVEMENTS

2" MILL AND OVERLAY(CURB WHERE NECESSARY)

COMMENTS:

MATERIAL ESTIMATE FOR LOCATION 17

202000	EXCAVATION AND EMBANKMENT	43.00	C.Y.
211001	REMOVAL OF PORTLAND CEMENT CONCRETE PAVEMENT, CURB AND SIDEWALK	479.00	S.Y.
301001	GABC	33.00	C.Y.
301002	GABC, PATCHING	80.00	C.Y.
401005	SUPERPAVE TYPE C, 9.5 mm, PG 64-22 (CARBONATE STONE)	400.00	TON
401029	SUPERPAVE TYPE C, 9.5 mm, PG 64-22, PATCHING	267.00	TON
401030	SUPERPAVE TYPE B, PG 64-22, PATCHING	25.00	TON
404001	BITUMINOUS CRACK AND JOINT SEALING LESS THAN 3/4-INCH WIDE	180.00	L.F.
701019	I.PCC CURB AND GUTTER, TYPE 2	1,330.00	L.F.
705002	PCC SIDEWALK, 6"	798.00	S.F.
710002	ADJUST WATER VALVE BOXES	1.00	EACH
710370	STEEL CASING PIPE, 4"	5.00	L.F.
760010	PAVEMENT MILLING, BITUMINOUS CONCRETE PAVEMENT	6,300.00	SY-IN
762000	SAW CUTTING, BITUMINOUS CONCRETE	1,995.00	L.F.
762001	SAW CUTTING, CONCRETE, FULL DEPTH	200.00	L.F.
811001	FLAGGER, NEW CASTLE COUNTY	349.00	HOUR
811013	FLAGGER, NEW CASTLE COUNTY, OVERTIME	36.00	HOUR
905004	INLET SEDIMENT CONTROL, DRAINAGE INLET	4.00	EACH
908001	TOPSOIL	53.00	TON
908016	PERMANENT GRASS SEEDING, SUBDIVISION	319.00	S.Y.
908020	EROSION CONTROL BLANKET MULCH	319.00	S.Y.

DELAWARE DEPARTMENT OF TRANSPORTATION

CONTRACT T202604905

(CAD) PAGE 55 OF 68

CANAL

SUBDIVISION PAVING, NEW CASTLE COUNTY V, 2026

LOCATION 18 OAKMONT - BIRKSHIRE DRIVE FROM OAKMONT DRIVE @ CHANGE IN HOTMIX TO KINGSTON ROAD

LENGTH 435.8640 m 1430.0000 L.F.

GENERAL IMPROVEMENTS

2" MILL AND OVERLAY(CURB WHERE NECESSARY)

COMMENTS:

PATCHING @ #25, PARK, AND #64

MATERIAL ESTIMATE FOR LOCATION 18

202000	EXCAVATION AND EMBANKMENT	149.00	C.Y.
211001	REMOVAL OF PORTLAND CEMENT CONCRETE PAVEMENT, CURB AND SIDEWALK	691.00	S.Y.
301001	GABC	48.00	C.Y.
301002	GABC, PATCHING	115.00	C.Y.
401005	SUPERPAVE TYPE C, 9.5 mm, PG 64-22 (CARBONATE STONE)	640.00	TON
401029	SUPERPAVE TYPE C, 9.5 mm, PG 64-22, PATCHING	460.00	TON
401030	SUPERPAVE TYPE B, PG 64-22, PATCHING	350.00	TON
401506	SPEED HUMP	128.00	L.F.
404001	BITUMINOUS CRACK AND JOINT SEALING LESS THAN 3/4-INCH WIDE	764.00	L.F.
602100	DRAINAGE INLET GRATE(S)	6.00	EACH
602101	DRAINAGE INLET FRAME(S)	6.00	EACH
602130	ADJUSTING AND REPAIRING EXISTING DRAINAGE INLET	6.00	EACH
602132	ADJUSTING AND REPAIRING EXISTING MANHOLE	3.00	EACH
701019	I.PCC CURB AND GUTTER, TYPE 2	1,920.00	L.F.
705002	PCC SIDEWALK, 6"	1,152.00	S.F.
710002	ADJUST WATER VALVE BOXES	4.00	EACH
760010	PAVEMENT MILLING, BITUMINOUS CONCRETE PAVEMENT	10,170.00	SY-IN
762000	SAW CUTTING, BITUMINOUS CONCRETE	3,060.00	L.F.
762001	SAW CUTTING, CONCRETE, FULL DEPTH	288.00	L.F.
811001	FLAGGER, NEW CASTLE COUNTY	711.00	HOUR
811013	FLAGGER, NEW CASTLE COUNTY, OVERTIME	73.00	HOUR
905004	INLET SEDIMENT CONTROL, DRAINAGE INLET	6.00	EACH
908001	TOPSOIL	77.00	TON
908016	PERMANENT GRASS SEEDING, SUBDIVISION	461.00	S.Y.
908020	EROSION CONTROL BLANKET MULCH	461.00	S.Y.

DELAWARE DEPARTMENT OF TRANSPORTATION

CONTRACT T202604905

(CAD) PAGE 56 OF 68

CANAL

SUBDIVISION PAVING, NEW CASTLE COUNTY V, 2026

LOCATION 19 RICHARDSON PARK - RICHARDSON LANE FROM DUPONT ROAD TO END

LENGTH 67.0560 m 220.0000 L.F.

GENERAL IMPROVEMENTS

2" MILL AND OVERLAY(CURB WHERE NECESSARY)

COMMENTS:

MATERIAL ESTIMATE FOR LOCATION 19

202000	EXCAVATION AND EMBANKMENT	2.00	C.Y.
211001	REMOVAL OF PORTLAND CEMENT CONCRETE PAVEMENT, CURB AND SIDEWALK	13.00	S.Y.
301001	GABC	1.00	C.Y.
301002	GABC, PATCHING	2.00	C.Y.
401005	SUPERPAVE TYPE C, 9.5 mm, PG 64-22 (CARBONATE STONE)	50.00	TON
401029	SUPERPAVE TYPE C, 9.5 mm, PG 64-22, PATCHING	7.00	TON
401030	SUPERPAVE TYPE B, PG 64-22, PATCHING	5.00	TON
404001	BITUMINOUS CRACK AND JOINT SEALING LESS THAN 3/4-INCH WIDE	25.00	L.F.
701018	I.PCC CURB AND GUTTER, TYPE 1-8	30.00	L.F.
705002	PCC SIDEWALK, 6"	18.00	S.F.
760010	PAVEMENT MILLING, BITUMINOUS CONCRETE PAVEMENT	800.00	SY-IN
762000	SAW CUTTING, BITUMINOUS CONCRETE	45.00	L.F.
762001	SAW CUTTING, CONCRETE, FULL DEPTH	4.00	L.F.
811001	FLAGGER, NEW CASTLE COUNTY	25.00	HOUR
811013	FLAGGER, NEW CASTLE COUNTY, OVERTIME	5.00	HOUR
860007	TEMPORARY PAVEMENT STRIPING, LATEX, SYMBOL/LEGEND	104.00	S.F.
862006	PERMANENT PAVEMENT STRIPING, ALKYD-THERMOPLASTIC, SYMBOL/LEGEND	104.00	S.F.
908001	TOPSOIL	1.00	TON
908016	PERMANENT GRASS SEEDING, SUBDIVISION	7.00	S.Y.
908020	EROSION CONTROL BLANKET MULCH	7.00	S.Y.

DELAWARE DEPARTMENT OF TRANSPORTATION

CONTRACT T202604905

(CAD) PAGE 57 OF 68

CANAL

SUBDIVISION PAVING, NEW CASTLE COUNTY V, 2026

LOCATION 20 SILVIEW - WINDSOR AVENUE FROM HARDING AVENUE TO KENTUCKY AVENUE

LENGTH 103.6320 m 340.0000 L.F.

GENERAL IMPROVEMENTS

2" MILL AND OVERLAY(CURB WHERE NECESSARY)

COMMENTS:

ESTIMATE INCLUDES STUB @ KENTUCKY. 2 RAMPS @ HARDING. 2 RAMPS @ KENTUCKY

MATERIAL ESTIMATE FOR LOCATION 20

202000	EXCAVATION AND EMBANKMENT	6.00	C.Y.
211001	REMOVAL OF PORTLAND CEMENT CONCRETE PAVEMENT, CURB AND SIDEWALK	44.00	S.Y.
301001	GABC	4.00	C.Y.
301002	GABC, PATCHING	8.00	C.Y.
401005	SUPERPAVE TYPE C, 9.5 mm, PG 64-22 (CARBONATE STONE)	140.00	TON
401029	SUPERPAVE TYPE C, 9.5 mm, PG 64-22, PATCHING	26.00	TON
401030	SUPERPAVE TYPE B, PG 64-22, PATCHING	10.00	TON
404001	BITUMINOUS CRACK AND JOINT SEALING LESS THAN 3/4-INCH WIDE	300.00	L.F.
602102	MANHOLE COVER(S)	3.00	EACH
602103	MANHOLE FRAME(S)	3.00	EACH
602130	ADJUSTING AND REPAIRING EXISTING DRAINAGE INLET	7.00	EACH
602131	ADJUSTING AND REPAIRING EXISTING DOUBLE DRAINAGE INLET	1.00	EACH
602132	ADJUSTING AND REPAIRING EXISTING MANHOLE	7.00	EACH
701013	PCC CURB, TYPE 1-8	6.00	L.F.
701019	I.PCC CURB AND GUTTER, TYPE 2	120.00	L.F.
705001	PCC SIDEWALK, 4"	200.00	S.F.
705002	PCC SIDEWALK, 6"	72.00	S.F.
705008	PEDESTRIAN CONNECTION, TYPE 1	80.00	S.F.
705009	PEDESTRIAN CONNECTION, TYPE 2, 3, AND/OR 4	800.00	S.F.
705013	TRUNCATED DOME DETECTABLE WARNING SURFACE	40.00	S.F.
710002	ADJUST WATER VALVE BOXES	1.00	EACH
760010	PAVEMENT MILLING, BITUMINOUS CONCRETE PAVEMENT	2,140.00	SY-IN
762000	SAW CUTTING, BITUMINOUS CONCRETE	180.00	L.F.
762001	SAW CUTTING, CONCRETE, FULL DEPTH	18.00	L.F.
811001	FLAGGER, NEW CASTLE COUNTY	194.00	HOUR

DELAWARE DEPARTMENT OF TRANSPORTATION

CONTRACT T202604905

(CAD) PAGE 58 OF 68

CANAL

SUBDIVISION PAVING, NEW CASTLE COUNTY V, 2026

LOCATION 20 SILVIEW - WINDSOR AVENUE FROM HARDING AVENUE TO KENTUCKY AVENUE

LENGTH 103.6320 m 340.0000 L.F.

GENERAL IMPROVEMENTS

2" MILL AND OVERLAY(CURB WHERE NECESSARY)

COMMENTS:

ESTIMATE INCLUDES STUB @ KENTUCKY. 2 RAMPS @ HARDING. 2 RAMPS @ KENTUCKY

MATERIAL ESTIMATE FOR LOCATION 20

811013	FLAGGER, NEW CASTLE COUNTY, OVERTIME	22.00	HOUR
905004	INLET SEDIMENT CONTROL, DRAINAGE INLET	9.00	EACH
908001	TOPSOIL	21.00	TON
908016	PERMANENT GRASS SEEDING, SUBDIVISION	125.00	S.Y.
908020	EROSION CONTROL BLANKET MULCH	125.00	S.Y.

DELAWARE DEPARTMENT OF TRANSPORTATION

CONTRACT T202604905

(CAD) PAGE 59 OF 68

CANAL

SUBDIVISION PAVING, NEW CASTLE COUNTY V, 2026

LOCATION 21 TUXEDO PARK - NEW JERSEY AVENUE FROM WASHINGTON AVENUE TO END

LENGTH 67.0560 m 220.0000 L.F.

GENERAL IMPROVEMENTS

2" MILL AND OVERLAY(CURB WHERE NECESSARY)

COMMENTS:

MATERIAL ESTIMATE FOR LOCATION 21

201000	CLEARING AND GRUBBING	1.00	L.S.
202000	EXCAVATION AND EMBANKMENT	5.00	C.Y.
211001	REMOVAL OF PORTLAND CEMENT CONCRETE PAVEMENT, CURB AND SIDEWALK	54.00	S.Y.
301001	GABC	4.00	C.Y.
301002	GABC, PATCHING	9.00	C.Y.
401005	SUPERPAVE TYPE C, 9.5 mm, PG 64-22 (CARBONATE STONE)	70.00	TON
401029	SUPERPAVE TYPE C, 9.5 mm, PG 64-22, PATCHING	31.00	TON
401030	SUPERPAVE TYPE B, PG 64-22, PATCHING	5.00	TON
404001	BITUMINOUS CRACK AND JOINT SEALING LESS THAN 3/4-INCH WIDE	70.00	L.F.
602100	DRAINAGE INLET GRATE(S)	1.00	EACH
602101	DRAINAGE INLET FRAME(S)	1.00	EACH
602130	ADJUSTING AND REPAIRING EXISTING DRAINAGE INLET	1.00	EACH
602131	ADJUSTING AND REPAIRING EXISTING DOUBLE DRAINAGE INLET	1.00	EACH
602132	ADJUSTING AND REPAIRING EXISTING MANHOLE	1.00	EACH
701019	I.PCC CURB AND GUTTER, TYPE 2	150.00	L.F.
705002	PCC SIDEWALK, 6"	90.00	S.F.
760010	PAVEMENT MILLING, BITUMINOUS CONCRETE PAVEMENT	1,080.00	SY-IN
762000	SAW CUTTING, BITUMINOUS CONCRETE	225.00	L.F.
762001	SAW CUTTING, CONCRETE, FULL DEPTH	23.00	L.F.
811001	FLAGGER, NEW CASTLE COUNTY	72.00	HOUR
811013	FLAGGER, NEW CASTLE COUNTY, OVERTIME	10.00	HOUR
905004	INLET SEDIMENT CONTROL, DRAINAGE INLET	3.00	EACH
908001	TOPSOIL	6.00	TON
908016	PERMANENT GRASS SEEDING, SUBDIVISION	36.00	S.Y.
908020	EROSION CONTROL BLANKET MULCH	36.00	S.Y.

DELAWARE DEPARTMENT OF TRANSPORTATION

CONTRACT T202604905

(CAD) PAGE 60 OF 68

CANAL

SUBDIVISION PAVING, NEW CASTLE COUNTY V, 2026

LOCATION 22 WILMINGTON MANOR - JEFFERSON AVENUE WEST FROM MORRISON
AVENUE TO ROOSEVELT AVENUE WEST

LENGTH 609.6000 m 2000.0000 L.F.

GENERAL IMPROVEMENTS

2" MILL AND OVERLAY(CURB WHERE NECESSARY)

COMMENTS:

MATERIAL ESTIMATE FOR LOCATION 22

202000	EXCAVATION AND EMBANKMENT	22.00	C.Y.
211001	REMOVAL OF PORTLAND CEMENT CONCRETE PAVEMENT, CURB AND SIDEWALK	204.00	S.Y.
301001	GABC	20.00	C.Y.
301002	GABC, PATCHING	26.00	C.Y.
401005	SUPERPAVE TYPE C, 9.5 mm, PG 64-22 (CARBONATE STONE)	350.00	TON
401029	SUPERPAVE TYPE C, 9.5 mm, PG 64-22, PATCHING	80.00	TON
401030	SUPERPAVE TYPE B, PG 64-22, PATCHING	50.00	TON
401506	SPEED HUMP	44.00	L.F.
404001	BITUMINOUS CRACK AND JOINT SEALING LESS THAN 3/4-INCH WIDE	630.00	L.F.
602132	ADJUSTING AND REPAIRING EXISTING MANHOLE	5.00	EACH
701019	I.PCC CURB AND GUTTER, TYPE 2	300.00	L.F.
701513	PORTLAND CEMENT CONCRETE VALLEY GUTTER, 8"	96.00	S.Y.
705002	PCC SIDEWALK, 6"	180.00	S.F.
760010	PAVEMENT MILLING, BITUMINOUS CONCRETE PAVEMENT	5,600.00	SY-IN
762000	SAW CUTTING, BITUMINOUS CONCRETE	738.00	L.F.
762001	SAW CUTTING, CONCRETE, FULL DEPTH	74.00	L.F.
811001	FLAGGER, NEW CASTLE COUNTY	245.00	HOURLY
811013	FLAGGER, NEW CASTLE COUNTY, OVERTIME	26.00	HOURLY
908001	TOPSOIL	20.00	TON
908016	PERMANENT GRASS SEEDING, SUBDIVISION	118.00	S.Y.
908020	EROSION CONTROL BLANKET MULCH	118.00	S.Y.

DELAWARE DEPARTMENT OF TRANSPORTATION

CONTRACT T202604905

(CAD) PAGE 61 OF 68

CANAL

SUBDIVISION PAVING, NEW CASTLE COUNTY V, 2026

LOCATION 23 WILMINGTON MANOR - ROOSEVELT AVENUE WEST FROM HARRISON AVENUE WEST TO JEFFERSON AVENUE WEST

LENGTH

GENERAL IMPROVEMENTS

2" MILL AND OVERLAY(CURB WHERE NECESSARY)

COMMENTS:

ESTIMATE INCLUDES INTERSECTION W/ JEFFERSON AVE WEST - 2 RAMPS @ JEFFERSON

MATERIAL ESTIMATE FOR LOCATION 23

202000	EXCAVATION AND EMBANKMENT	7.00	C.Y.
211001	REMOVAL OF PORTLAND CEMENT CONCRETE PAVEMENT, CURB AND SIDEWALK	51.00	S.Y.
301001	GABC	5.00	C.Y.
301002	GABC, PATCHING	9.00	C.Y.
401005	SUPERPAVE TYPE C, 9.5 mm, PG 64-22 (CARBONATE STONE)	155.00	TON
401029	SUPERPAVE TYPE C, 9.5 mm, PG 64-22, PATCHING	30.00	TON
401030	SUPERPAVE TYPE B, PG 64-22, PATCHING	10.00	TON
401506	SPEED HUMP	44.00	L.F.
404001	BITUMINOUS CRACK AND JOINT SEALING LESS THAN 3/4-INCH WIDE	180.00	L.F.
602130	ADJUSTING AND REPAIRING EXISTING DRAINAGE INLET	1.00	EACH
602131	ADJUSTING AND REPAIRING EXISTING DOUBLE DRAINAGE INLET	1.00	EACH
602132	ADJUSTING AND REPAIRING EXISTING MANHOLE	1.00	EACH
701013	PCC CURB, TYPE 1-8	3.00	L.F.
701019	I.PCC CURB AND GUTTER, TYPE 2	140.00	L.F.
705001	PCC SIDEWALK, 4"	100.00	S.F.
705002	PCC SIDEWALK, 6"	84.00	S.F.
705008	PEDESTRIAN CONNECTION, TYPE 1	40.00	S.F.
705009	PEDESTRIAN CONNECTION, TYPE 2, 3, AND/OR 4	400.00	S.F.
705013	TRUNCATED DOME DETECTABLE WARNING SURFACE	20.00	S.F.
760010	PAVEMENT MILLING, BITUMINOUS CONCRETE PAVEMENT	2,460.00	SY-IN
762000	SAW CUTTING, BITUMINOUS CONCRETE	210.00	L.F.
762001	SAW CUTTING, CONCRETE, FULL DEPTH	21.00	L.F.
811001	FLAGGER, NEW CASTLE COUNTY	135.00	HOURLY
811013	FLAGGER, NEW CASTLE COUNTY, OVERTIME	15.00	HOURLY
905004	INLET SEDIMENT CONTROL, DRAINAGE INLET	3.00	EACH

DELAWARE DEPARTMENT OF TRANSPORTATION

CONTRACT T202604905

(CAD) PAGE 62 OF 68

CANAL

SUBDIVISION PAVING, NEW CASTLE COUNTY V, 2026

LOCATION 23

WILMINGTON MANOR - ROOSEVELT AVENUE WEST FROM HARRISON AVENUE WEST TO JEFFERSON AVENUE WEST

LENGTH

GENERAL IMPROVEMENTS

2" MILL AND OVERLAY(CURB WHERE NECESSARY)

COMMENTS:

ESTIMATE INCLUDES INTERSECTION W/ JEFFERSON AVE WEST - 2 RAMPS @ JEFFERSON

MATERIAL ESTIMATE FOR LOCATION 23

908001	TOPSOIL	14.00	TON
908016	PERMANENT GRASS SEEDING, SUBDIVISION	82.00	S.Y.
908020	EROSION CONTROL BLANKET MULCH	82.00	S.Y.

DELAWARE DEPARTMENT OF TRANSPORTATION

CONTRACT T202604905

(CAD) PAGE 63 OF 68

CANAL

SUBDIVISION PAVING, NEW CASTLE COUNTY V, 2026

LOCATION 24 WOODCREST - SURRY AVENUE FROM TROY AVENUE TO BECKER AVENUE

LENGTH 259.0800 m 850.0000 L.F.

GENERAL IMPROVEMENTS

2" MILL AND OVERLAY(CURB WHERE NECESSARY)

COMMENTS:

2 RAMPS @ TROY; 3 RAMPS @ PORTLAND; 2 RAMPS @ ROCHELLE; 2 RAMPS @ BECKER

MATERIAL ESTIMATE FOR LOCATION 24

202000	EXCAVATION AND EMBANKMENT	16.00	C.Y.
211001	REMOVAL OF PORTLAND CEMENT CONCRETE PAVEMENT, CURB AND SIDEWALK	216.00	S.Y.
301001	GABC	21.00	C.Y.
301002	GABC, PATCHING	29.00	C.Y.
401005	SUPERPAVE TYPE C, 9.5 mm, PG 64-22 (CARBONATE STONE)	240.00	TON
401029	SUPERPAVE TYPE C, 9.5 mm, PG 64-22, PATCHING	87.00	TON
401030	SUPERPAVE TYPE B, PG 64-22, PATCHING	15.00	TON
404001	BITUMINOUS CRACK AND JOINT SEALING LESS THAN 3/4-INCH WIDE	320.00	L.F.
602100	DRAINAGE INLET GRATE(S)	4.00	EACH
602101	DRAINAGE INLET FRAME(S)	4.00	EACH
602131	ADJUSTING AND REPAIRING EXISTING DOUBLE DRAINAGE INLET	2.00	EACH
602132	ADJUSTING AND REPAIRING EXISTING MANHOLE	3.00	EACH
701013	PCC CURB, TYPE 1-8	14.00	L.F.
701019	I.PCC CURB AND GUTTER, TYPE 2	330.00	L.F.
701513	PORTLAND CEMENT CONCRETE VALLEY GUTTER, 8"	96.00	S.Y.
705001	PCC SIDEWALK, 4"	450.00	S.F.
705002	PCC SIDEWALK, 6"	198.00	S.F.
705008	PEDESTRIAN CONNECTION, TYPE 1	180.00	S.F.
705009	PEDESTRIAN CONNECTION, TYPE 2, 3, AND/OR 4	1,800.00	S.F.
705013	TRUNCATED DOME DETECTABLE WARNING SURFACE	90.00	S.F.
760010	PAVEMENT MILLING, BITUMINOUS CONCRETE PAVEMENT	3,780.00	SY-IN
762000	SAW CUTTING, BITUMINOUS CONCRETE	783.00	L.F.
762001	SAW CUTTING, CONCRETE, FULL DEPTH	79.00	L.F.
811001	FLAGGER, NEW CASTLE COUNTY	264.00	HOUR
811013	FLAGGER, NEW CASTLE COUNTY, OVERTIME	28.00	HOUR
905004	INLET SEDIMENT CONTROL, DRAINAGE INLET	4.00	EACH

DELAWARE DEPARTMENT OF TRANSPORTATION

CONTRACT T202604905

(CAD) PAGE 64 OF 68

CANAL

SUBDIVISION PAVING, NEW CASTLE COUNTY V, 2026

LOCATION 24 **WOODCREST - SURRY AVENUE FROM TROY AVENUE TO BECKER AVENUE**

LENGTH 259.0800 m 850.0000 L.F.

GENERAL IMPROVEMENTS

2" MILL AND OVERLAY(CURB WHERE NECESSARY)

COMMENTS:

2 RAMPS @ TROY; 3 RAMPS @ PORTLAND; 2 RAMPS @ ROCHELLE; 2 RAMPS @ BECKER

MATERIAL ESTIMATE FOR LOCATION 24

908001	TOPSOIL	57.00	TON
908016	PERMANENT GRASS SEEDING, SUBDIVISION	341.00	S.Y.
908020	EROSION CONTROL BLANKET MULCH	341.00	S.Y.

DELAWARE DEPARTMENT OF TRANSPORTATION

CONTRACT T202604905

(CAD) PAGE 65 OF 68

CANAL

SUBDIVISION PAVING, NEW CASTLE COUNTY V, 2026

LOCATION 25 WOODMILL SECTION II - INGRID COURT FROM WOODMILL DRIVE EAST
TO END

LENGTH 91.4400 m 300.0000 L.F.

GENERAL IMPROVEMENTS

2" MILL AND OVERLAY(CURB WHERE NECESSARY)

COMMENTS:

MATERIAL ESTIMATE FOR LOCATION 25

202000	EXCAVATION AND EMBANKMENT	9.00	C.Y.
211001	REMOVAL OF PORTLAND CEMENT CONCRETE PAVEMENT, CURB AND SIDEWALK	94.00	S.Y.
301001	GABC	7.00	C.Y.
301002	GABC, PATCHING	16.00	C.Y.
401005	SUPERPAVE TYPE C, 9.5 mm, PG 64-22 (CARBONATE STONE)	105.00	TON
401029	SUPERPAVE TYPE C, 9.5 mm, PG 64-22, PATCHING	53.00	TON
401030	SUPERPAVE TYPE B, PG 64-22, PATCHING	10.00	TON
404001	BITUMINOUS CRACK AND JOINT SEALING LESS THAN 3/4-INCH WIDE	120.00	L.F.
602132	ADJUSTING AND REPAIRING EXISTING MANHOLE	3.00	EACH
701019	I.PCC CURB AND GUTTER, TYPE 2	260.00	L.F.
701032	CURB OPENING, 4' OPENING	1.00	EACH
705002	PCC SIDEWALK, 6"	156.00	S.F.
760010	PAVEMENT MILLING, BITUMINOUS CONCRETE PAVEMENT	1,600.00	SY-IN
762000	SAW CUTTING, BITUMINOUS CONCRETE	390.00	L.F.
762001	SAW CUTTING, CONCRETE, FULL DEPTH	39.00	L.F.
811001	FLAGGER, NEW CASTLE COUNTY	87.00	HOUR
811013	FLAGGER, NEW CASTLE COUNTY, OVERTIME	10.00	HOUR
908001	TOPSOIL	10.00	TON
908016	PERMANENT GRASS SEEDING, SUBDIVISION	62.00	S.Y.
908020	EROSION CONTROL BLANKET MULCH	62.00	S.Y.

DELAWARE DEPARTMENT OF TRANSPORTATION

CONTRACT T202604905

(CAD) PAGE 66 OF 68

CANAL

SUBDIVISION PAVING, NEW CASTLE COUNTY V, 2026

LOCATION 26 WOODMILL SECTION II - KRISTINA COURT FROM WOODMILL DRIVE EAST TO END

LENGTH 80.7720 m 265.0000 L.F.

GENERAL IMPROVEMENTS

2" MILL AND OVERLAY(CURB WHERE NECESSARY)

COMMENTS:

MATERIAL ESTIMATE FOR LOCATION 26

202000	EXCAVATION AND EMBANKMENT	10.00	C.Y.
211001	REMOVAL OF PORTLAND CEMENT CONCRETE PAVEMENT, CURB AND SIDEWALK	125.00	S.Y.
301001	GABC	9.00	C.Y.
301002	GABC, PATCHING	23.00	C.Y.
401005	SUPERPAVE TYPE C, 9.5 mm, PG 64-22 (CARBONATE STONE)	115.00	TON
401029	SUPERPAVE TYPE C, 9.5 mm, PG 64-22, PATCHING	59.00	TON
401030	SUPERPAVE TYPE B, PG 64-22, PATCHING	10.00	TON
404001	BITUMINOUS CRACK AND JOINT SEALING LESS THAN 3/4-INCH WIDE	110.00	L.F.
602132	ADJUSTING AND REPAIRING EXISTING MANHOLE	2.00	EACH
701023	I.PCC CURB AND GUTTER, TYPE 3-8	290.00	L.F.
705002	PCC SIDEWALK, 6"	174.00	S.F.
760010	PAVEMENT MILLING, BITUMINOUS CONCRETE PAVEMENT	1,820.00	SY-IN
762000	SAW CUTTING, BITUMINOUS CONCRETE	435.00	L.F.
762001	SAW CUTTING, CONCRETE, FULL DEPTH	35.00	L.F.
811001	FLAGGER, NEW CASTLE COUNTY	90.00	HOURL
811013	FLAGGER, NEW CASTLE COUNTY, OVERTIME	11.00	HOURL
908001	TOPSOIL	12.00	TON
908016	PERMANENT GRASS SEEDING, SUBDIVISION	70.00	S.Y.
908020	EROSION CONTROL BLANKET MULCH	70.00	S.Y.

DELAWARE DEPARTMENT OF TRANSPORTATION

CONTRACT T202604905

(CAD) PAGE 67 OF 68

CANAL

SUBDIVISION PAVING, NEW CASTLE COUNTY V, 2026

CONTRACT QUANTITIES SUMMARY SHEET

201000	CLEARING AND GRUBBING	1.00	L.S.
202000	EXCAVATION AND EMBANKMENT	507.00	C.Y.
211001	REMOVAL OF PORTLAND CEMENT CONCRETE PAVEMENT, CURB AND SIDEWALK	4,133.00	S.Y.
301001	GABC	320.00	C.Y.
301002	GABC, PATCHING	671.00	C.Y.
401005	SUPERPAVE TYPE C, 9.5 mm, PG 64-22 (CARBONATE STONE)	6,140.00	TON
401029	SUPERPAVE TYPE C, 9.5 mm, PG 64-22, PATCHING	2,267.00	TON
401030	SUPERPAVE TYPE B, PG 64-22, PATCHING	805.00	TON
401506	SPEED HUMP	440.00	L.F.
404001	BITUMINOUS CRACK AND JOINT SEALING LESS THAN 3/4-INCH WIDE	6,509.00	L.F.
602100	DRAINAGE INLET GRATE(S)	11.00	EACH
602101	DRAINAGE INLET FRAME(S)	11.00	EACH
602102	MANHOLE COVER(S)	9.00	EACH
602103	MANHOLE FRAME(S)	9.00	EACH
602130	ADJUSTING AND REPAIRING EXISTING DRAINAGE INLET	31.00	EACH
602131	ADJUSTING AND REPAIRING EXISTING DOUBLE DRAINAGE INLET	13.00	EACH
602132	ADJUSTING AND REPAIRING EXISTING MANHOLE	68.00	EACH
701013	PCC CURB, TYPE 1-8	91.00	L.F.
701014	PCC CURB, TYPE 2	30.00	L.F.
701018	I.PCC CURB AND GUTTER, TYPE 1-8	60.00	L.F.
701019	I.PCC CURB AND GUTTER, TYPE 2	10,060.00	L.F.
701023	I.PCC CURB AND GUTTER, TYPE 3-8	290.00	L.F.
701032	CURB OPENING, 4' OPENING	1.00	EACH
701513	PORTLAND CEMENT CONCRETE VALLEY GUTTER, 8"	336.00	S.Y.
705001	PCC SIDEWALK, 4"	2,350.00	S.F.
705002	PCC SIDEWALK, 6"	6,246.00	S.F.
705008	PEDESTRIAN CONNECTION, TYPE 1	940.00	S.F.
705009	PEDESTRIAN CONNECTION, TYPE 2, 3, AND/OR 4	9,400.00	S.F.

DELAWARE DEPARTMENT OF TRANSPORTATION

CONTRACT T202604905

(CAD) PAGE 68 OF 68

CANAL

SUBDIVISION PAVING, NEW CASTLE COUNTY V, 2026

CONTRACT QUANTITIES SUMMARY SHEET

705013	TRUNCATED DOME DETECTABLE WARNING SURFACE	470.00	S.F.
705505	RESET STONE/BRICK SIDEWALK AND/OR STONE/BRICK ROADWAY	40.00	S.F.
710002	ADJUST WATER VALVE BOXES	22.00	EACH
710370	STEEL CASING PIPE, 4"	100.00	L.F.
760010	PAVEMENT MILLING, BITUMINOUS CONCRETE PAVEMENT	95,080.00	SY-IN
760011	PAVEMENT MILLING, BITUMINOUS CONCRETE PAVEMENT, TAPER CUT	900.00	SY-IN
762000	SAW CUTTING, BITUMINOUS CONCRETE	16,908.00	L.F.
762001	SAW CUTTING, CONCRETE, FULL DEPTH	1,667.00	L.F.
763000	INITIAL EXPENSE/DE-MOBILIZATION	LUMP	SUM
801500	MAINTENANCE OF TRAFFIC, REHABILITATION	LUMP	SUM
802003	ARROW PANELS TYPE C	18.00	EA-DY
808002	PROVIDE AND MAINTAIN TRUCK MOUNTED ATTENUATOR, TYPE II	18.00	EA-DY
811001	FLAGGER, NEW CASTLE COUNTY	5,197.00	HOUR
811013	FLAGGER, NEW CASTLE COUNTY, OVERTIME	577.00	HOUR
819003	INSTALL OR REMOVE TRAFFIC SIGNS	1.00	EACH
860004	TEMPORARY MARKINGS, LATEX, 4"	66.00	L.F.
860007	TEMPORARY PAVEMENT STRIPING, LATEX, SYMBOL/LEGEND	407.00	S.F.
861001	PERMANENT PAVEMENT STRIPING, EPOXY RESIN PAINT, 6"	66.00	L.F.
862006	PERMANENT PAVEMENT STRIPING, ALKYD-THERMOPLASTIC, SYMBOL/LEGEND	407.00	S.F.
905004	INLET SEDIMENT CONTROL, DRAINAGE INLET	63.00	EACH
908001	TOPSOIL	634.00	TON
908016	PERMANENT GRASS SEEDING, SUBDIVISION	3,799.00	S.Y.
908020	EROSION CONTROL BLANKET MULCH	3,799.00	S.Y.